

NOTES:
UNLESS SPECIFIED IN THE DRAWING,
ALL PRODUCTS DISPLAYED IN THIS
DRAWING OTHER THAN THE CASE
ITSELF IS NOT PART OF OUR PRODUCT
OFFERING.

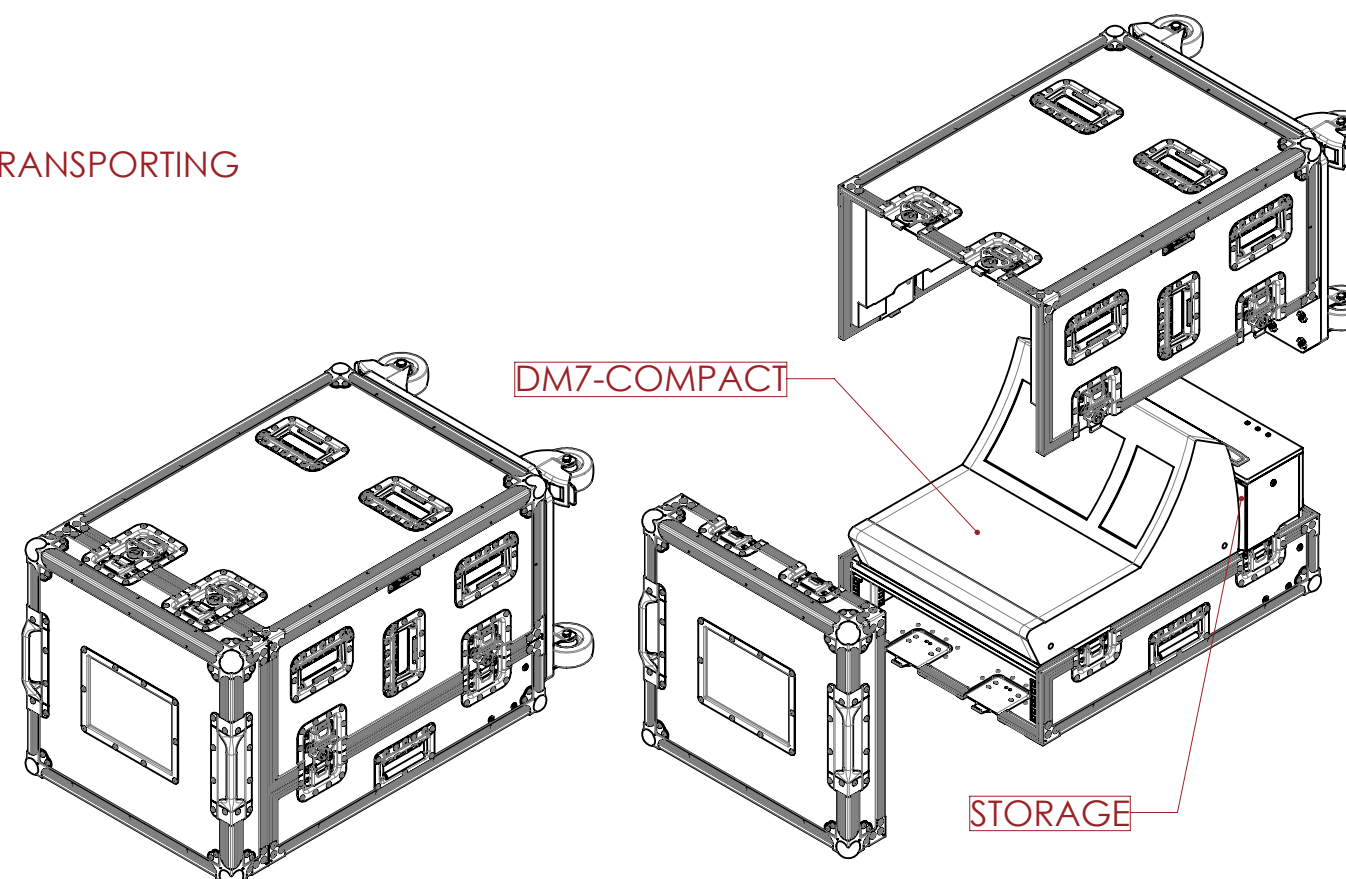
PRODUCT FEATURES

CONSTRUCTION

- 9MM HIGH QUALITY PLYWOOD PANEL
- PENN ELCOM HARDWARE
- 12X ERGONOMICALLY PLACED HANDLES FOR LIFTING AND TRANSPORTING
- 2X CORNER HANDLES ON FRONT LID
- LARGE LATCHES
- D21 16 LABEL DISH
- EVA38B FOAM PROTECTION

FEATURES

- DEDICATED SPACE FOR YAMAHA DM7 COMPACT
- GENERAL PURPOSE STORAGE FOR ACCESSORIES.
- COMPACT DESIGN



ESTIMATED WEIGHT (CASE ONLY):

42.31 KG

ITEM CODE:

MIXR-YMH-DM7C-3P

DRAWN BY:

RP

CHECKED BY:

AS

SCALE:

NTS



MAIL : sales@armorcases.com.au
WEB : www.armorcases.com.au