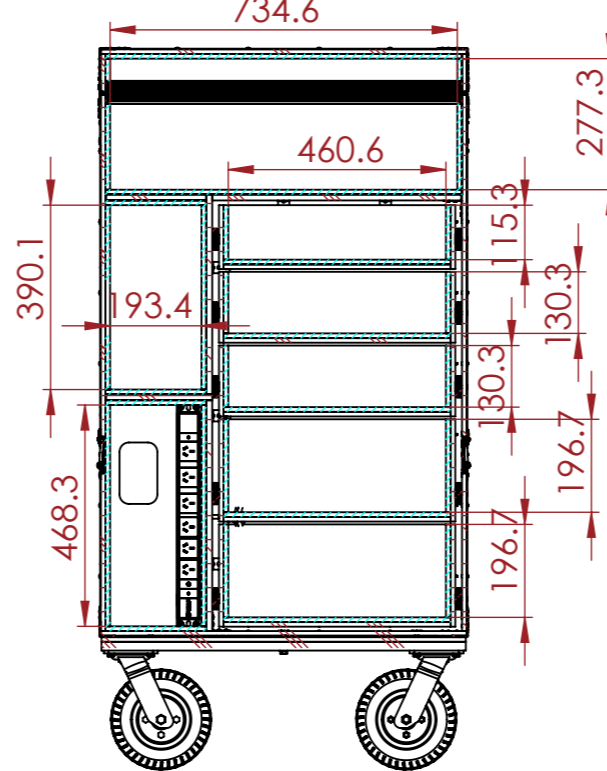
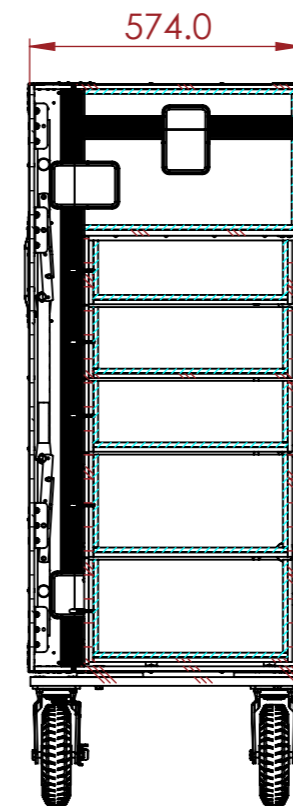


SECTION C-C
734.6

 EVA FOAM



SECTION B-B



SECTION A-A

NOTES:

REV	DESCRIPTION	DATE
0	ORIGINAL ISSUE	04/10/2023

ESTIMATED WEIGHT (CASE ONLY):

96.77 KG

QUANTITY:

1

ITEM CODE:

WS-FP1-D-OR

DRAWN BY:

RP

CHECKED BY:

AS

SCALE:

NTS



MAIL : sales@armorcases.com.au
 WEB : www.armorcases.com.au