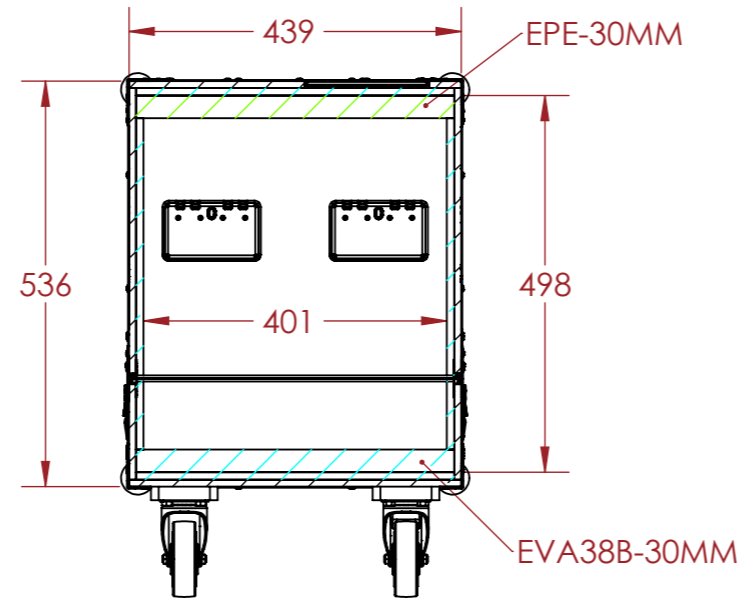
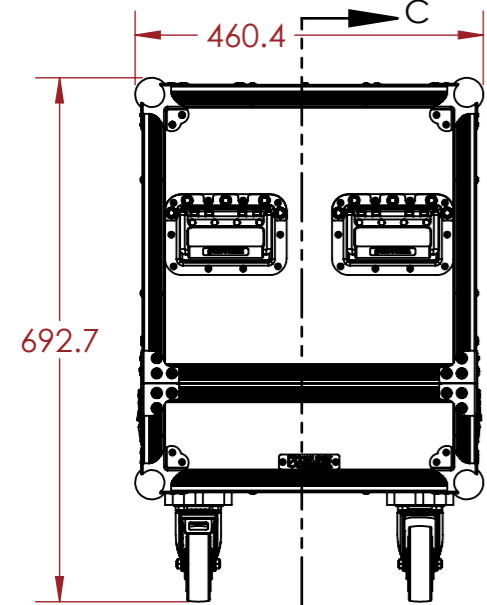


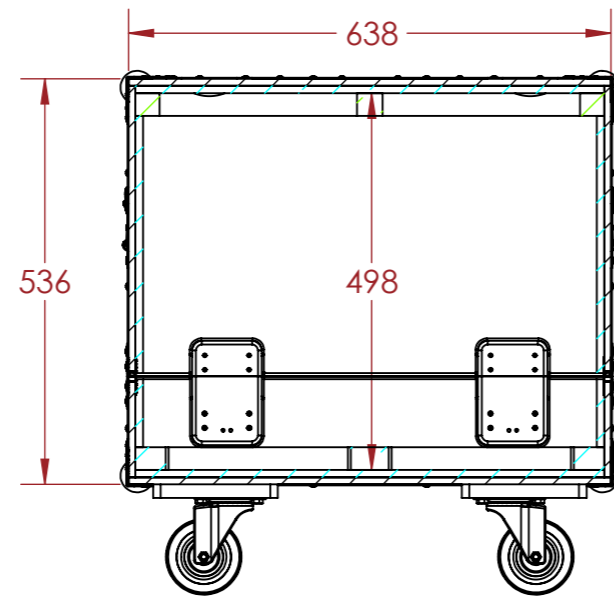
FRONT VIEW



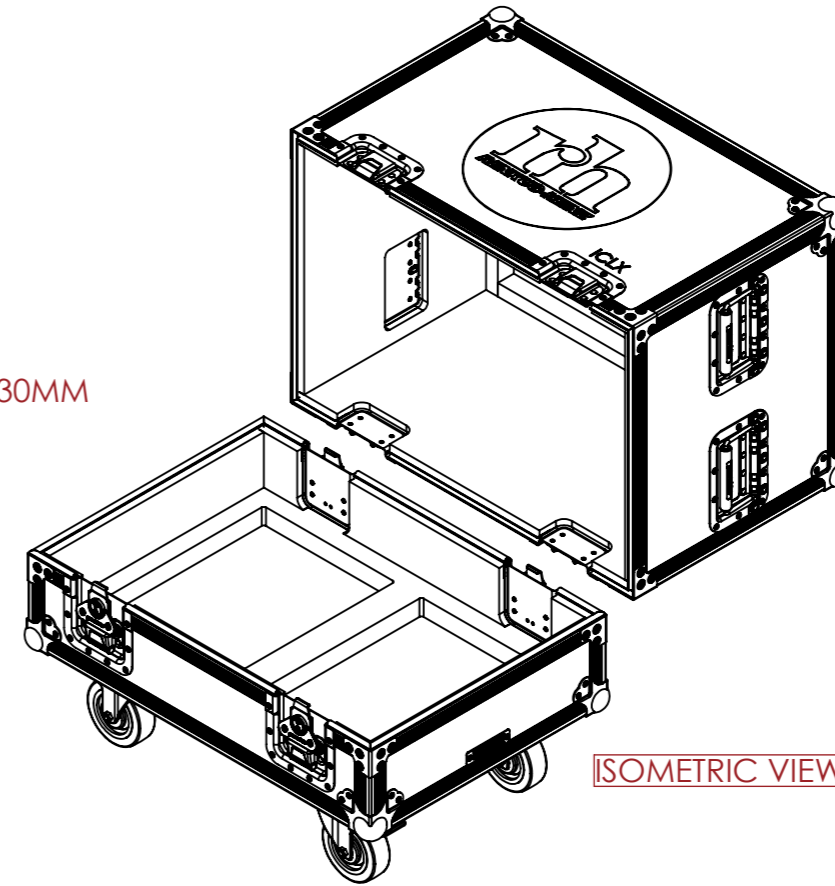
SIDE CUT VIEW



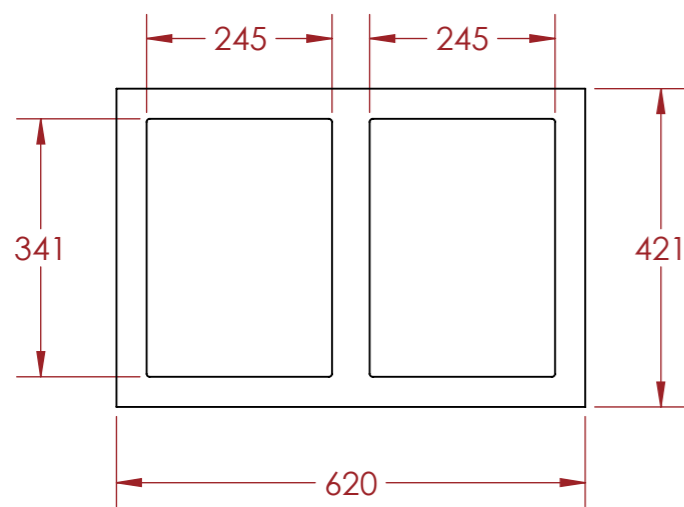
SIDE VIEW



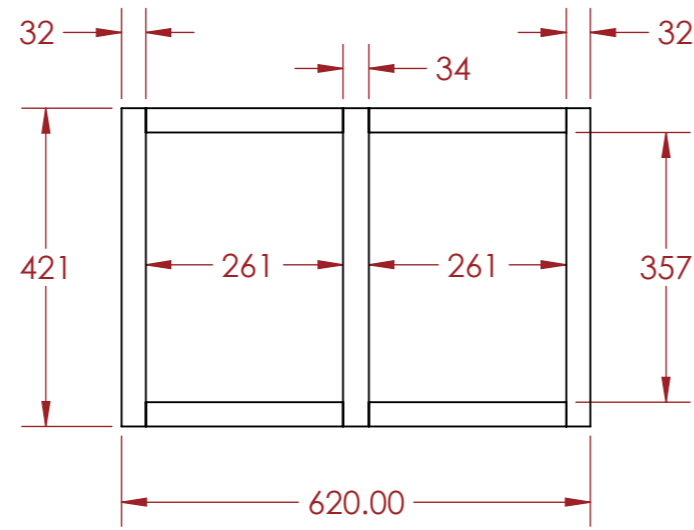
FRONT CUT VIEW



ISOMETRIC VIEW



EVA38B-30MM(BOTTOM)



EPE-30MM(TOP)

NOTES:
P903_9MM
 Exterior Black
 Hexa Matt
 Interior Wood
 panels are used.

CUSTOMER:	
DUE DATE: -	
QUANTITY: 1	
PANEL FINISH: P903	
HARDWARE: ARMOR & PENN	
DRAWING: RH-ICLX Case - 2d	
DRAWN BY: DS	CHECKED BY: AS
SCALE: NTS	REVISION: 0



ADD : 45/7-9 Percy St,Auburn,
 NSW 2144, Australia
 PH : 02 9188 6801
 MAIL : sales@armorcases.com.au
 WEB : www.armorcases.com.au