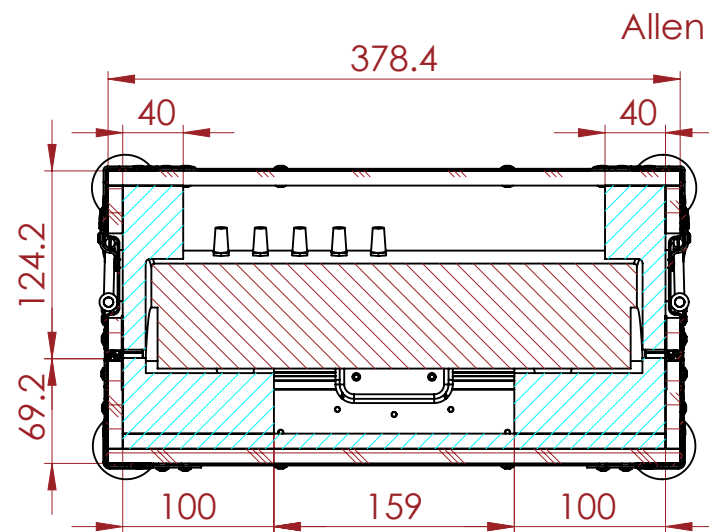
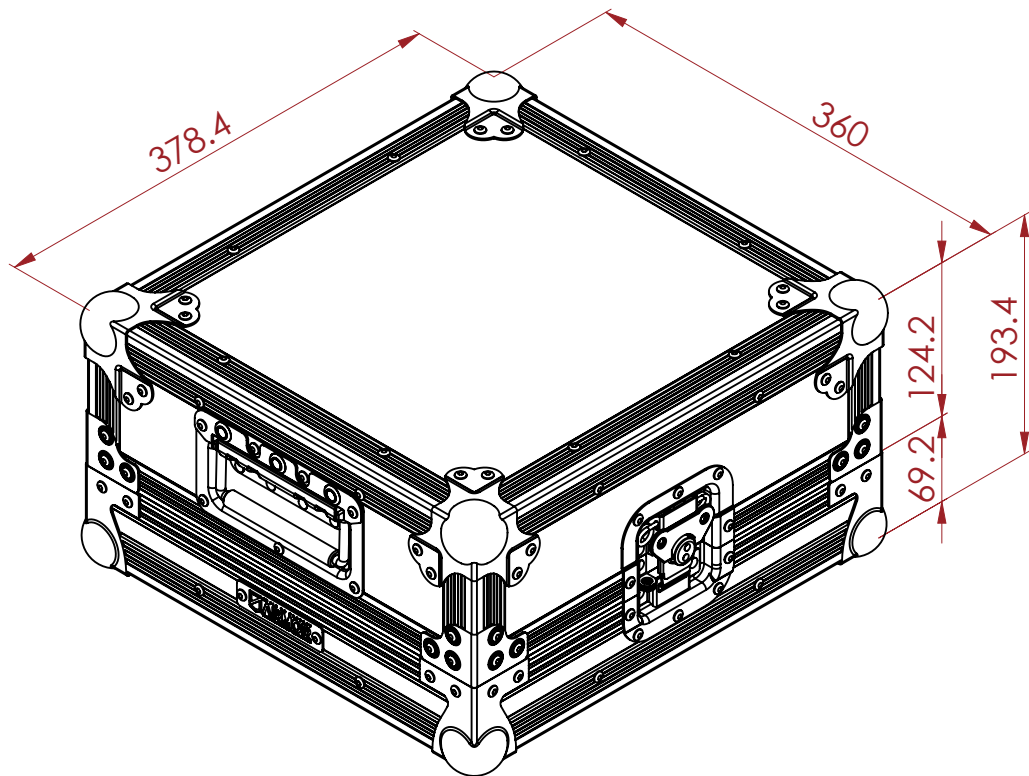


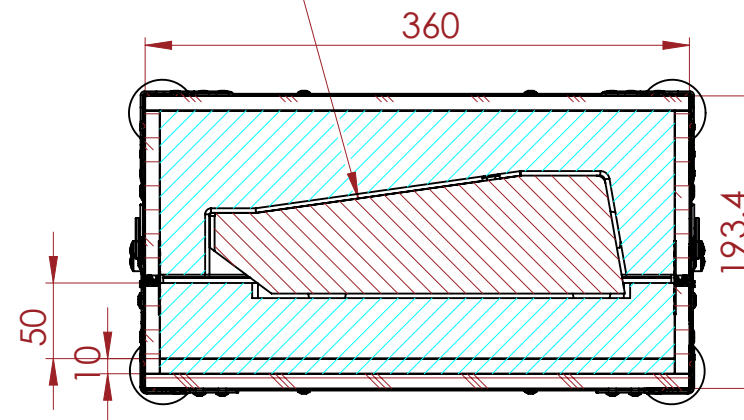
SECTION C-C

 EVA FOAM



SECTION B-B

Allen & Heath ZEDi-10



SECTION A-A

NOTES:

ESTIMATED WEIGHT:

6.6kg

QUANTITY:

1

ITEM CODE:

MIXR-AH-ZEDI10

DRAWN BY:

RP

CHECKED BY:

AS

SCALE:

NTS

REVISION:

0



ADD : 45/7-9 Percy St, Auburn,
NSW 2144, Australia
PH : 02 9188 6801
MAIL : sales@armorcases.com.au
WEB : www.armorcases.com.au