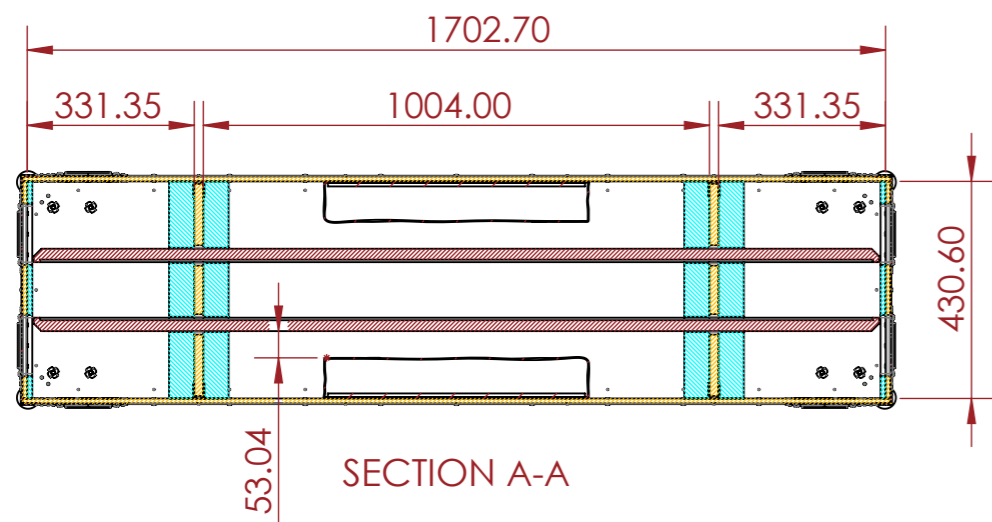
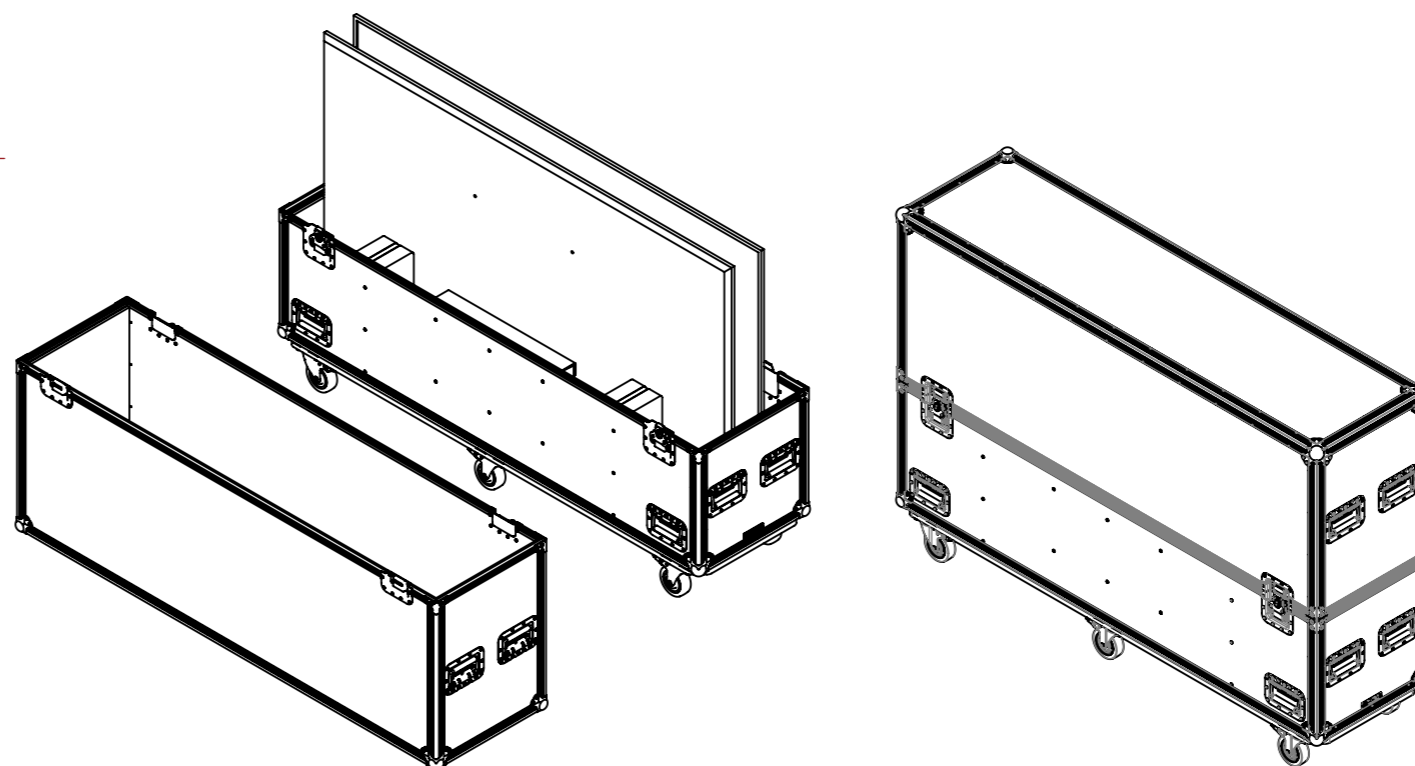


SECTION B-B



SECTION A-A



NOTES:

REV	DESCRIPTION	DATE
0	ORIGINAL ISSUE	10/31/2022

ESTIMATED WEIGHT:

**75.47 KG**

QUANTITY:

**1**

ITEM CODE:

**TV-75D-SMS-UA75BU8000W**

DRAWN BY:

**RP**

CHECKED BY:

**AS**

SCALE:

**NTS**



ADD : 45/7-9 Percy St, Auburn,  
NSW 2144, Australia  
PH : 02 9188 6801  
MAIL : sales@armorcases.com.au  
WEB : www.armorcases.com.au