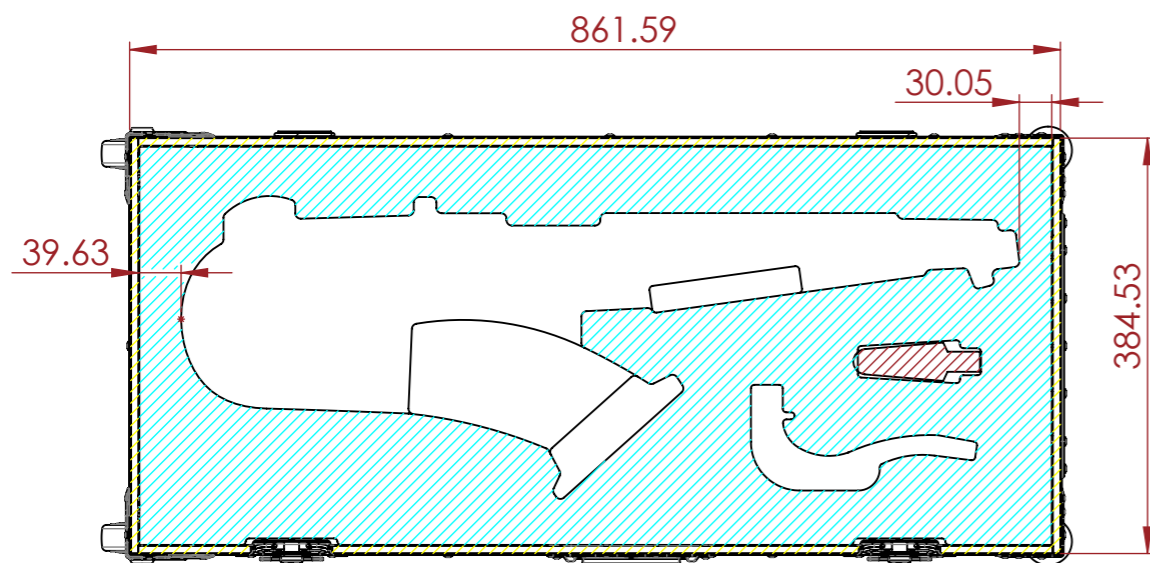
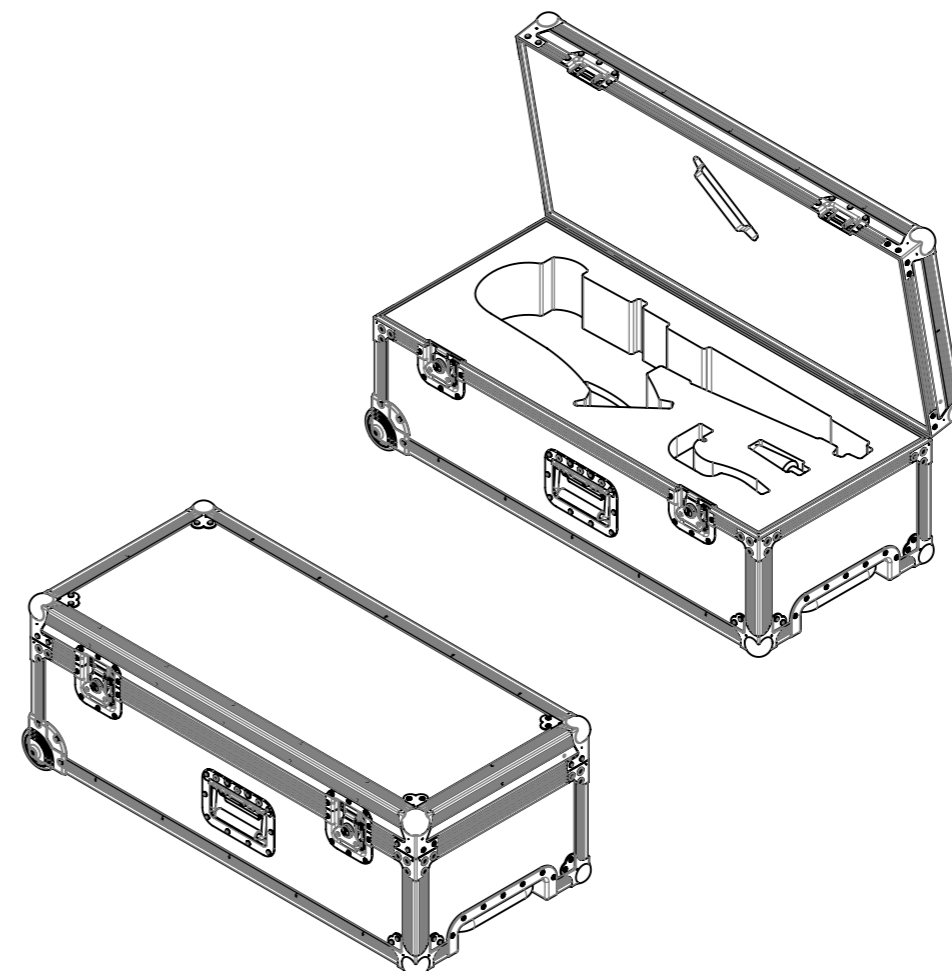


SECTION A-A



SECTION B-B



NOTES:

REV	DESCRIPTION	DATE
0	ORIGINAL ISSUE	10/31/2022

ESTIMATED WEIGHT (CASE ONLY):

10.53 KG

QUANTITY:

1

ITEM CODE:

SUIT-SAXO-S4T

DRAWN BY:

RP

CHECKED BY:

K.I

SCALE:

NTS



MAIL : sales@armorcases.com.au
 WEB : www.armorcases.com.au