

NOTES:
UNLESS SPECIFIED IN THE DRAWING,
ALL PRODUCTS DISPLAYED IN THIS
DRAWING OTHER THAN THE CASE
ITSELF IS NOT PART OF OUR PRODUCT
OFFERING.

PRODUCT FEATURES

CONSTRUCTION

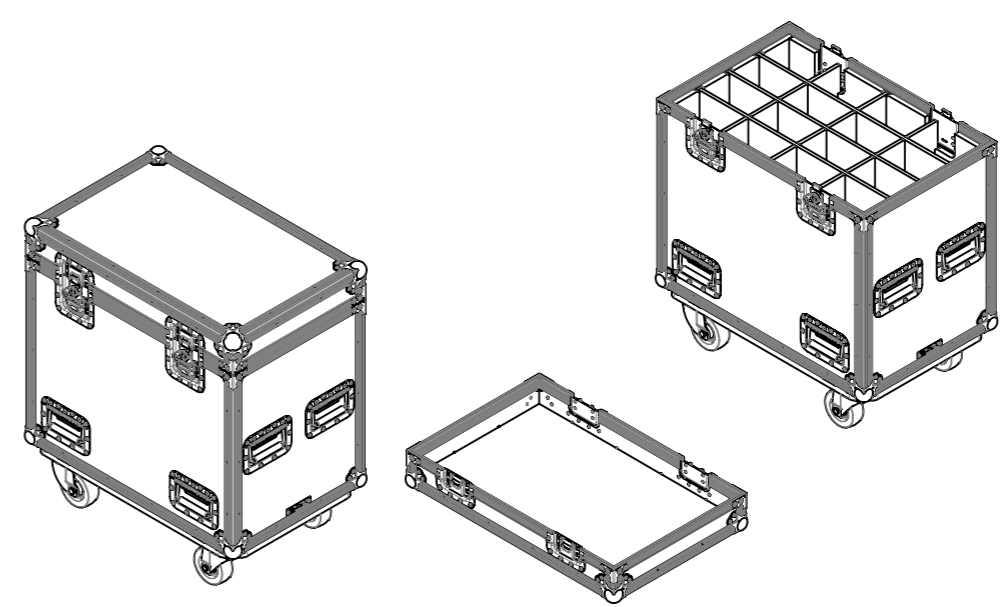
- 9MM BIRCH VENEER PLYWOOD WITH HPL EXTERIOR FACE AND PVC INTERIOR FACE
- PENN ELCOM HARDWARE.
- 8X ERGONOMICALLY PLACED HANDLES FOR LIFTING AND TRANSPORTING
- LARGE LATCHES
- EVA38B FOAM PROTECTION
- 18MM FULL CASTOR BOARD
- 4X 75MM CASTORS 2X BRAKED

FEATURES

- GENERAL STORAGE SPACE FOR ACCESSORIES
- EASY TO USE LIFT-OFF-LID DESIGN
- COMPACT DESIGN

KEY MEASUREMENTS

- THERE ARE 16 SLOTS(153.4W X 90.8D X 585H) FOR STORING MICS



ESTIMATED WEIGHT (CASE ONLY):
41.12 KG

ITEM CODE:
SLOT-MIC-K&M-25950

DRAWN BY: H.A. CHECKED BY: AS

SCALE:
NTS



MAIL : sales@armorcases.com.au
WEB : www.armorcases.com.au