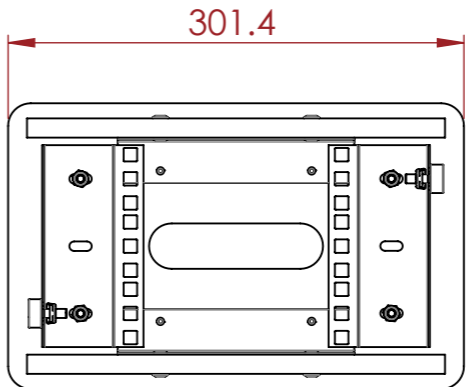
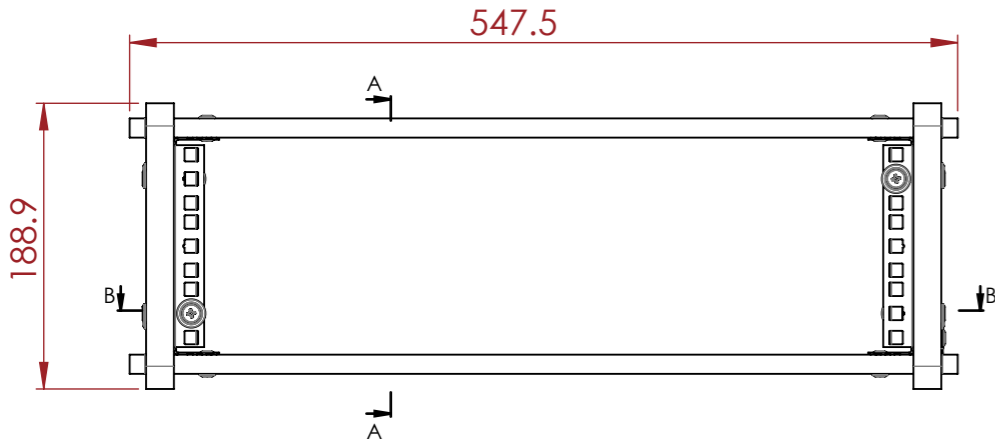


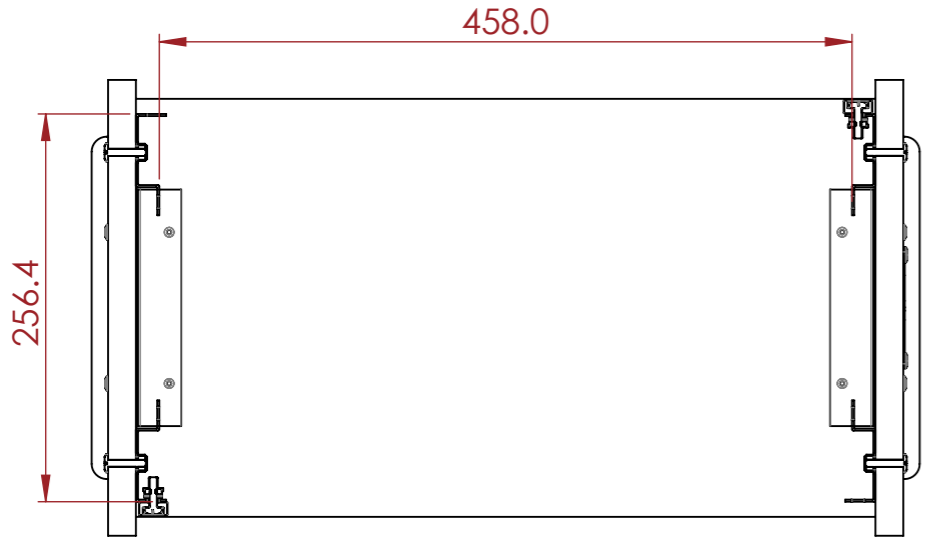
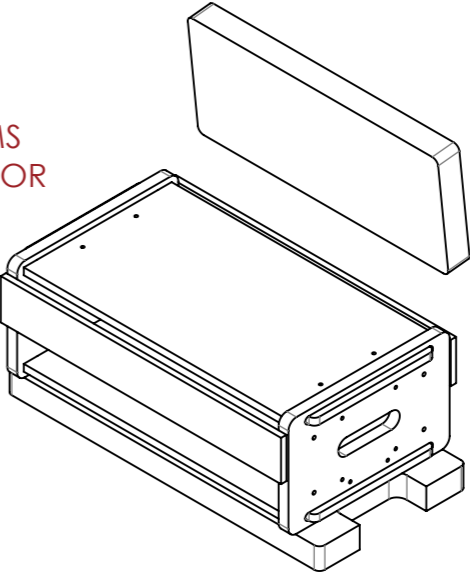
**BOX MARKED AS RED IS NOT SUPPLIED BY ARMOR**

NOTES:  
UNLESS SPECIFIED IN THE DRAWING,  
ALL PRODUCTS DISPLAYED IN THIS  
DRAWING OTHER THAN THE CASE  
ITSELF IS NOT PART OF OUR PRODUCT  
OFFERING.



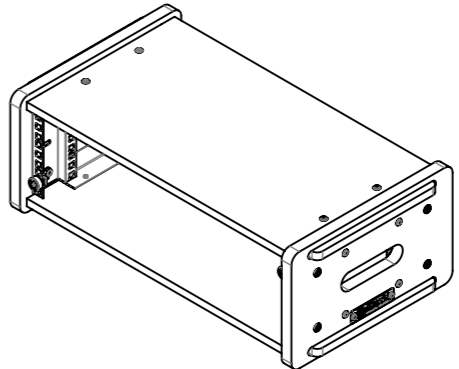
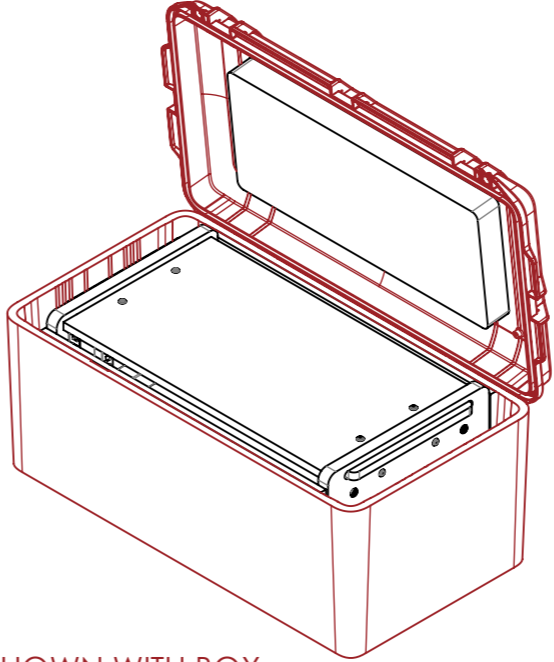
SECTION A-A

VIEW SHOWN WITHOUT BOX FOAMS  
& RACK PANEL PROVIDED BY ARMOR



SECTION B-B

VIEW SHOWN WITH BOX



ESTIMATED WEIGHT (CASE ONLY):

5.11 KG

ITEM CODE:

RKS-3U-256-PELI1606-WF

DRAWN BY:

KI

CHECKED BY:

AS

SCALE:

NTS



MAIL : [sales@armorcases.com.au](mailto:sales@armorcases.com.au)  
WEB : [www.armorcases.com.au](http://www.armorcases.com.au)