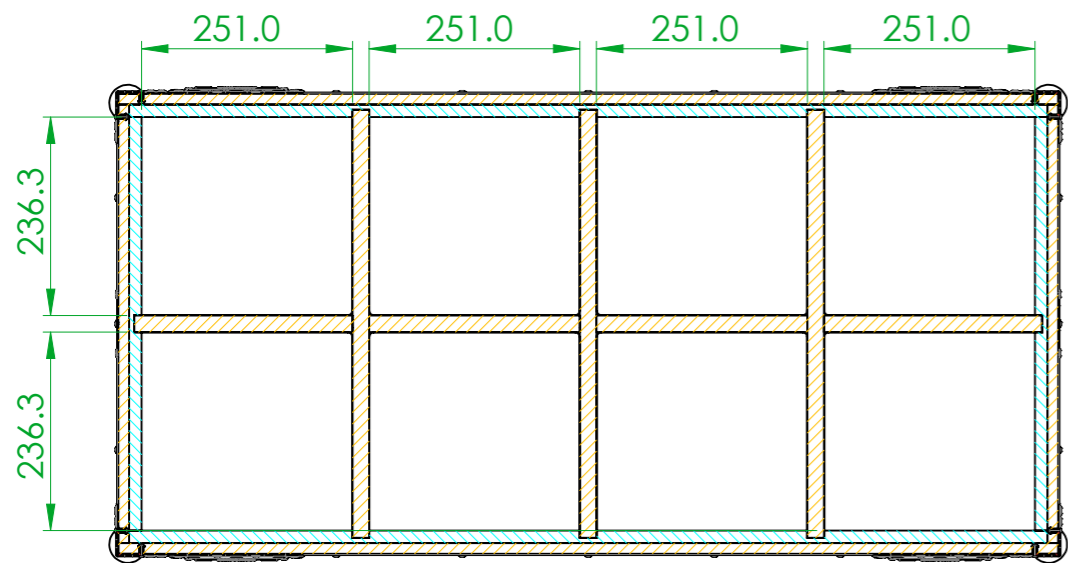
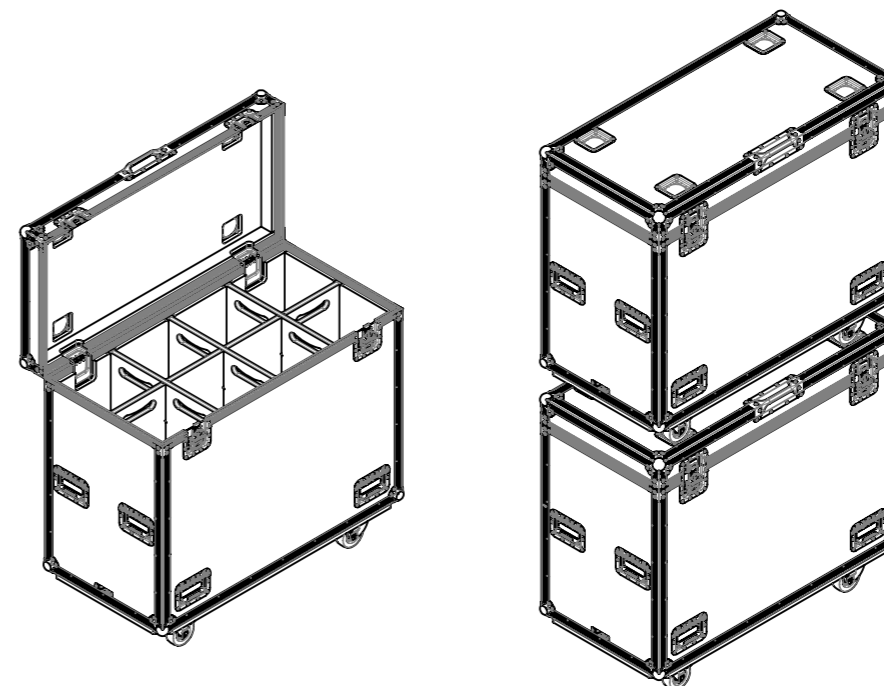


SECTION B-B  
SCALE 1 : 9



SECTION A-A  
SCALE 1 : 9



NOTES:  
UNLESS SPECIFIED IN THE DRAWING,  
ALL PRODUCTS DISPLAYED IN THIS  
DRAWING OTHER THAN THE CASE  
ITSELF IS NOT PART OF OUR PRODUCT  
OFFERING.

ESTIMATED WEIGHT (CASE ONLY):  
87.08 KG

ITEM CODE:  
HL-ETC-L16

DRAWN BY:  
HA

CHECKED BY:  
AS

SCALE:  
NTS



MAIL : [sales@armorcases.com.au](mailto:sales@armorcases.com.au)  
WEB : [www.armorcases.com.au](http://www.armorcases.com.au)