

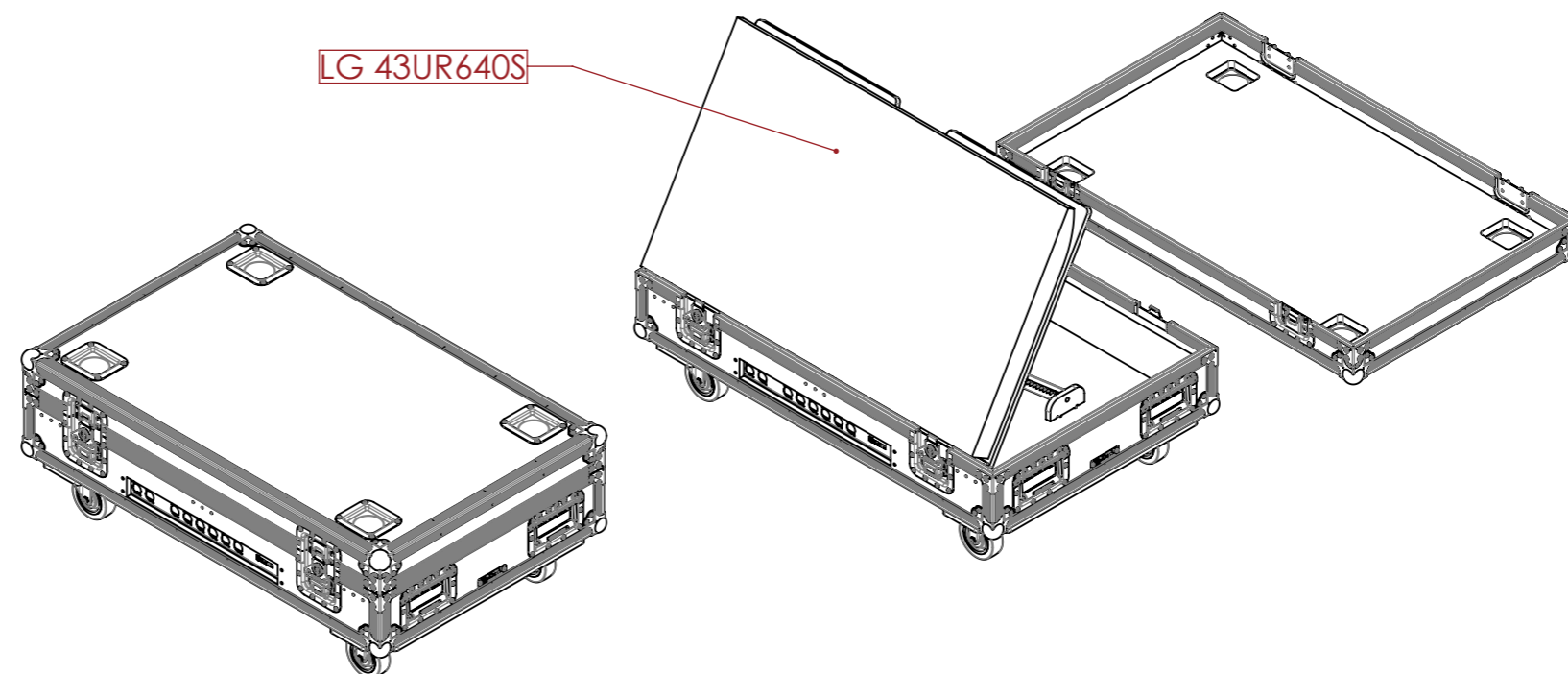
## PRODUCT FEATURES

### CONSTRUCTION

- 12MM BIRCH VENEER PLYWOOD WITH HPL EXTERIOR FACE AND PVC INTERIOR FACE
- LARGE LATCHES
- 4X ERGONOMICALLY PLACED HANDLES FOR LIFTING AND TRANSPORTING
- 4X 100MM CASTORS 2X BRAKED
- 4X STEEL CASTOR DISHES
- 12MM PAIR CASTORBOARD

### FEATURES

- DEDICATED SPACE FOR 43IN LG MONITOR
- EASY TO LIFT-OFF DESIGN
- COMPACT DESIGN



NOTES:  
UNLESS SPECIFIED IN THE DRAWING,  
ALL PRODUCTS DISPLAYED IN THIS  
DRAWING OTHER THAN THE CASE  
ITSELF IS NOT PART OF OUR PRODUCT  
OFFERING.

ESTIMATED WEIGHT (CASE ONLY):

37.3 KG

ITEM CODE:

CSM-LG-43UR

DRAWN BY:

H.A

CHECKED BY:

AS

SCALE:

NTS



MAIL : [sales@armorcases.com.au](mailto:sales@armorcases.com.au)  
WEB : [www.armorcases.com.au](http://www.armorcases.com.au)