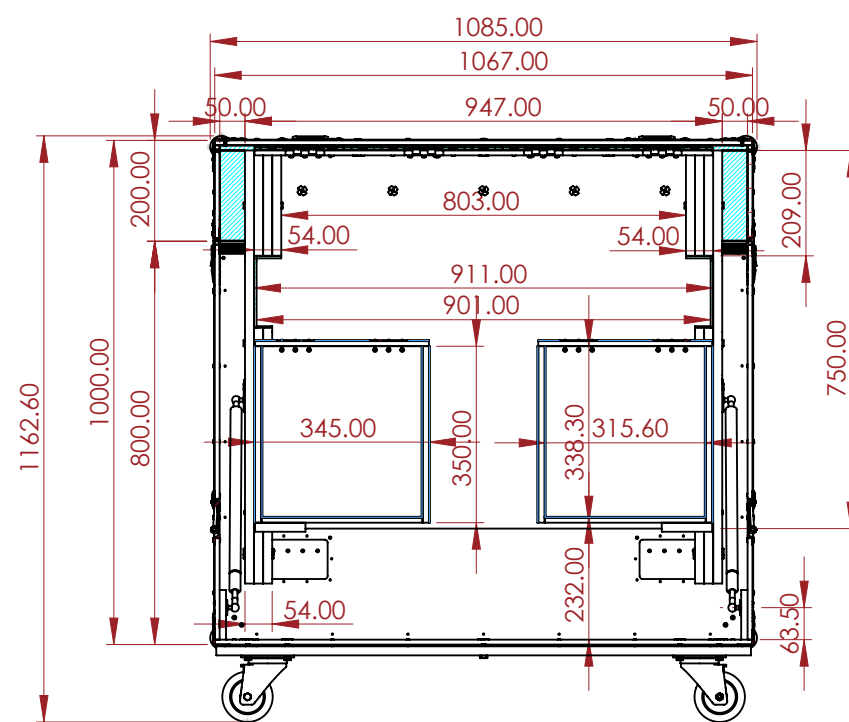


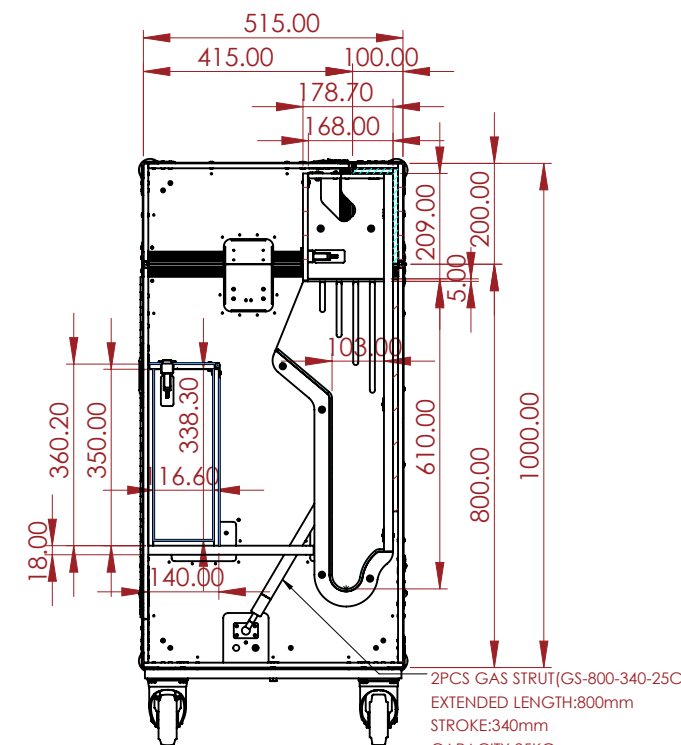
SECTION C-C

EVA FOAM
CARPET

ESTIMATED CASE WEIGHT : 75kg



SECTION B-B



SECTION A-A

2PCS GAS STRUT(GS-800-340-25C)
EXTENDED LENGTH:800mm
STROKE:340mm
CAPACITY:25KG
CONNECTOR:TYPE C

NOTES:

CUSTOMER:	
Jon Godden	
QUANTITY:	
1	
DRAWING:	
Midas M32-L Case	
DRAWN BY:	CHECKED BY:
RP	AS
SCALE:	REVISION:
NTS	0



ADD : 45/7-9 Percy St,Auburn,
NSW 2144, Australia
PH : 02 9188 6801
MAIL : sales@armorcases.com.au
WEB : www.armorcases.com.au