

# PRODUCT FEATURES

## CONSTRUCTION

- 12MM BIRCH VENEER PLYWOOD WITH HPL EXTERIOR FACE AND PVC INTERIOR FACE
- ARMOR HARDWARE

## INSTALLED EQUIPMENT (INCLUDED)

- 1X POWERBOARD
- 1X PUNCHED RACK PANEL FOR D-SERIES CONNECTORS

## INSTALLED EQUIPMENT (NOT INCLUDED)

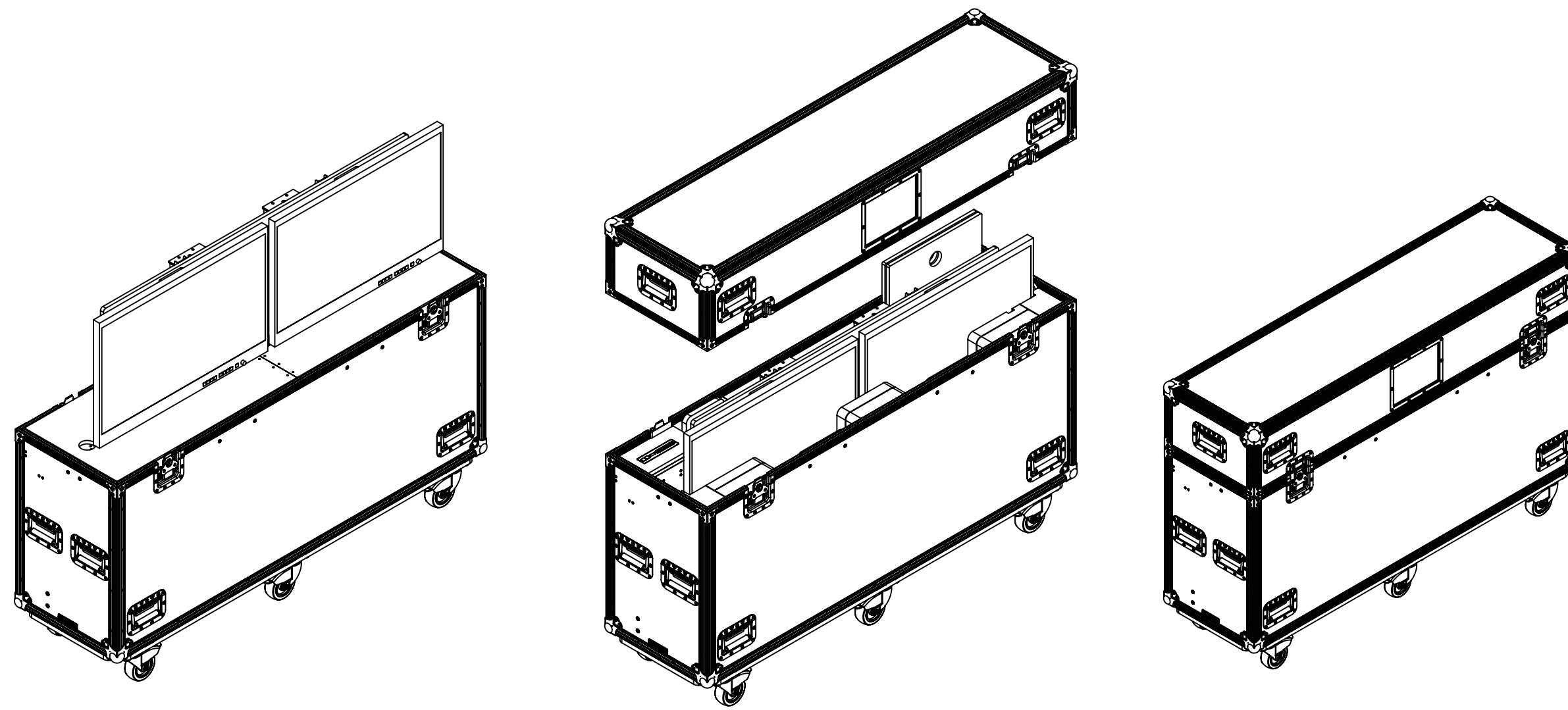
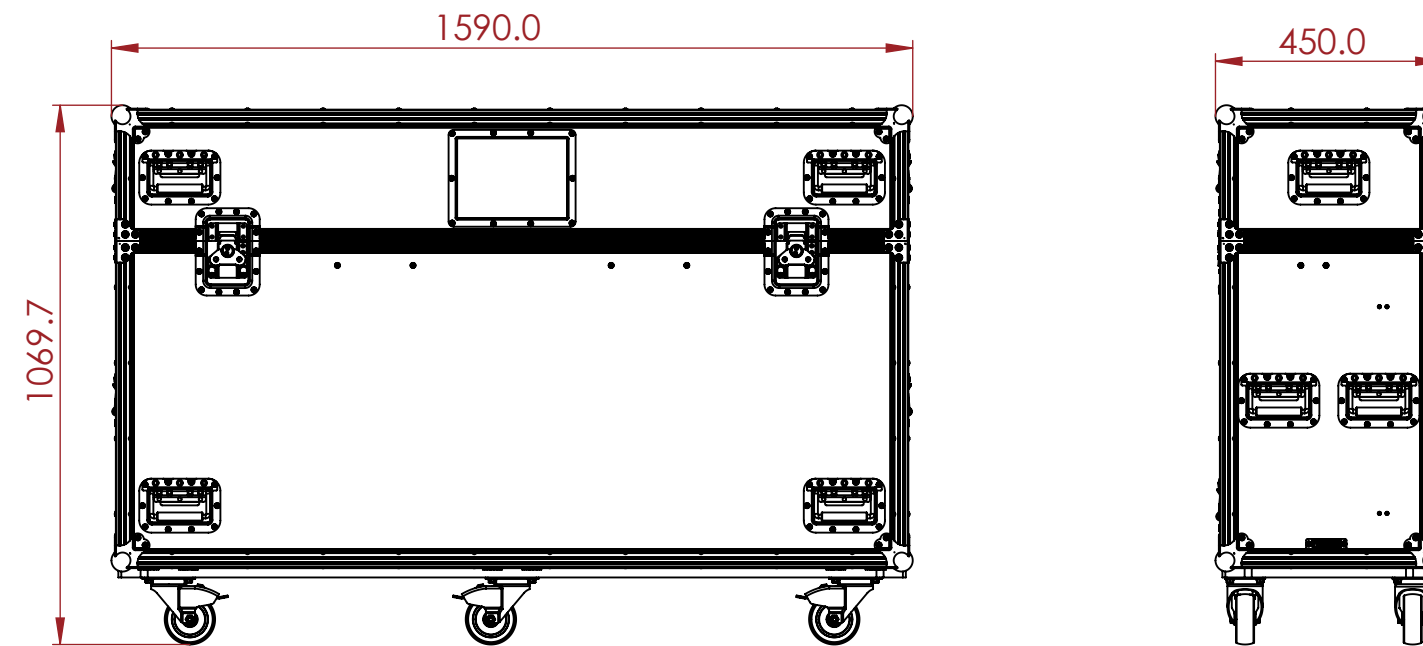
- 2X Lilliput Q31-8K 12G-SDI

## FEATURES

- BUILT IN MOTORIZED DOUBLE POST LIFT
- REMOVABLE TOP COVER
- LIFT OFF LID
- HATCH DOOR LOCATED ON THE BACK

## KEY MEASUREMENTS

- MAXIMUM HEIGHT WHEN LIFTED 1876.3MM



NOTES:  
UNLESS SPECIFIED IN THE DRAWING,  
ALL PRODUCTS DISPLAYED IN THIS  
DRAWING OTHER THAN THE CASE  
ITSELF IS NOT PART OF OUR PRODUCT  
OFFERING.

ESTIMATED WEIGHT (CASE ONLY):

131.48 KG

ITEM CODE:

TVL-31D-LL-Q318K

DRAWN BY:

RP

CHECKED BY:

AS

SCALE:

NTS



MAIL : [sales@armorcases.com.au](mailto:sales@armorcases.com.au)  
WEB : [www.armorcases.com.au](http://www.armorcases.com.au)