

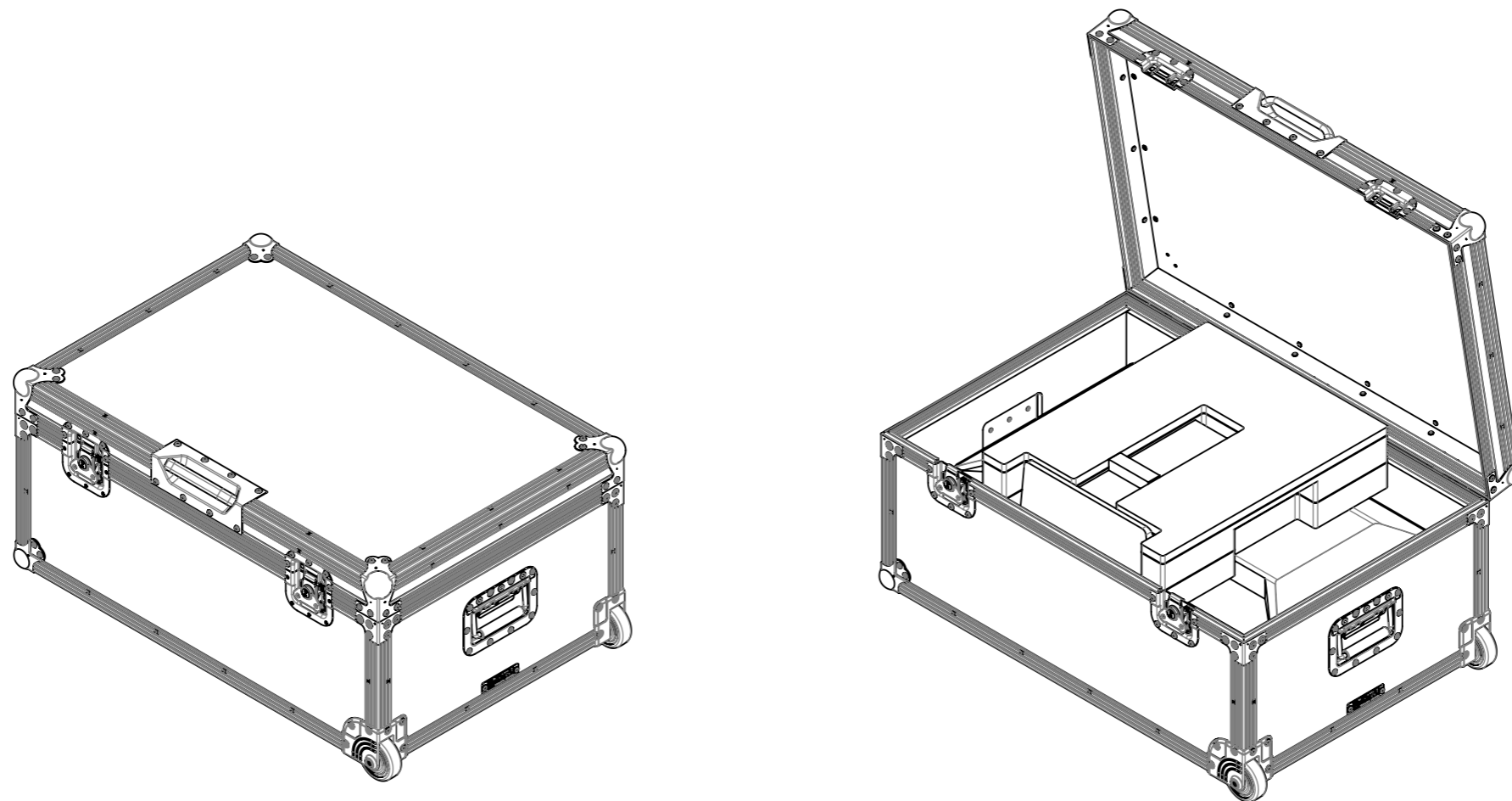
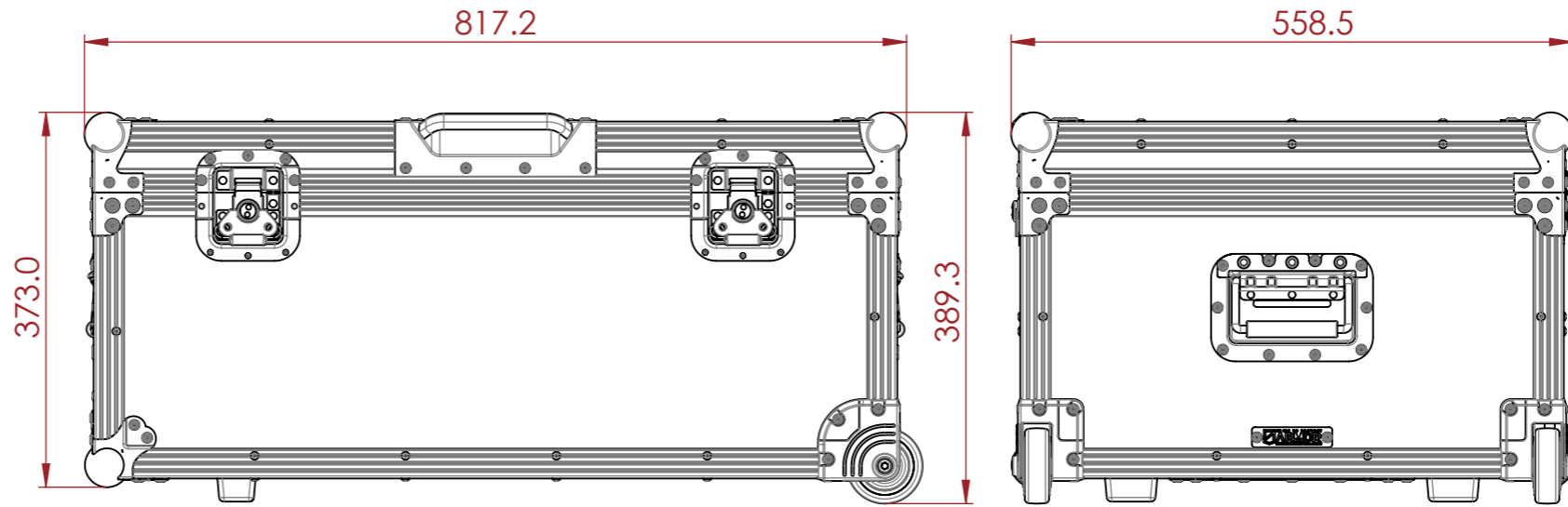
PRODUCT FEATURES

CONSTRUCTION

- 7MM LIGHT WEIGHT POLYPROPYLENE FLIGHT PANEL WITH NAVY ON ONE SIDE AND BLACK ON THE OTHER
- ARMOR HARDWARE

FEATURES

- STORAGE FOR EIZO RADIFORCE MX317W, 30.5" MEDICAL MONITOR
- SLIDE OUT HANDLE FOR CARRYING SUIT CASE STYLE
- 2X CASTORS LOCATED FOR SUIT CASE STYLE MOBILITY
- EXTRA LARGE POCKET UNDERNEATH THE MONITOR TO STORE ACCESSORIES.
- FEET FOR EASE OF LAYING THE CASE ON THE GROUND FOR USE



NOTES:
UNLESS SPECIFIED IN THE DRAWING,
ALL PRODUCTS DISPLAYED IN THIS
DRAWING OTHER THAN THE CASE
ITSELF IS NOT PART OF OUR PRODUCT
OFFERING.

ESTIMATED WEIGHT (CASE ONLY):

17.18 KG

ITEM CODE:

SUIT-RADI-MX317W

DRAWN BY:

K.I

CHECKED BY:

AS

SCALE:

NTS



MAIL : sales@armorcases.com.au
WEB : www.armorcases.com.au