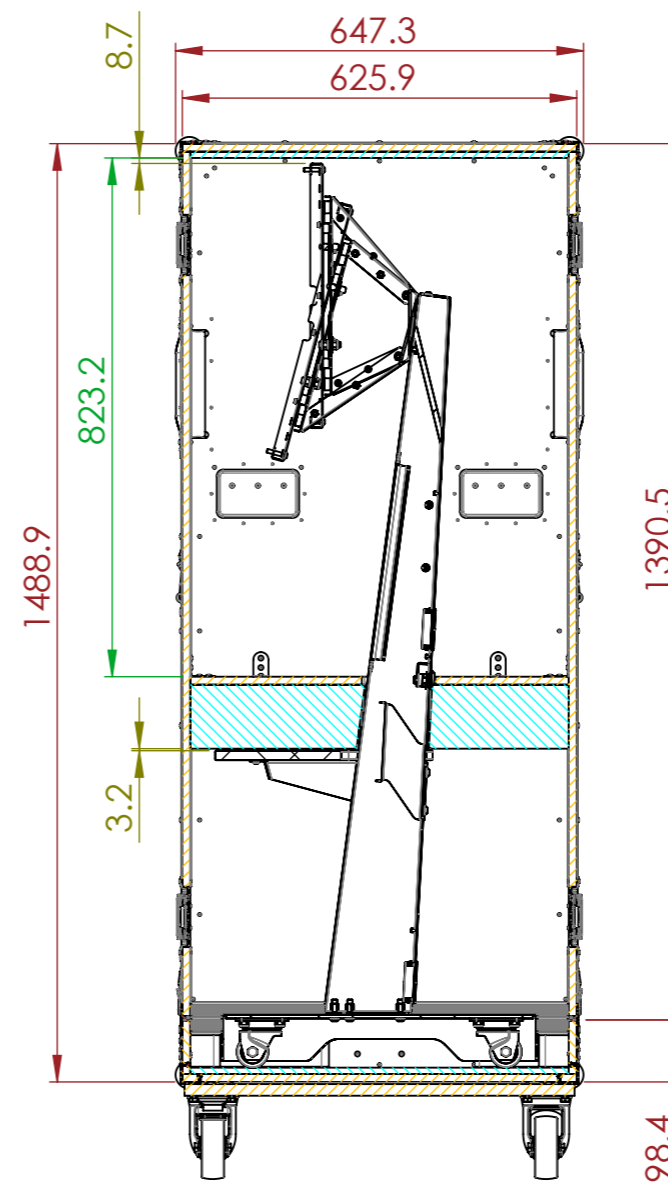
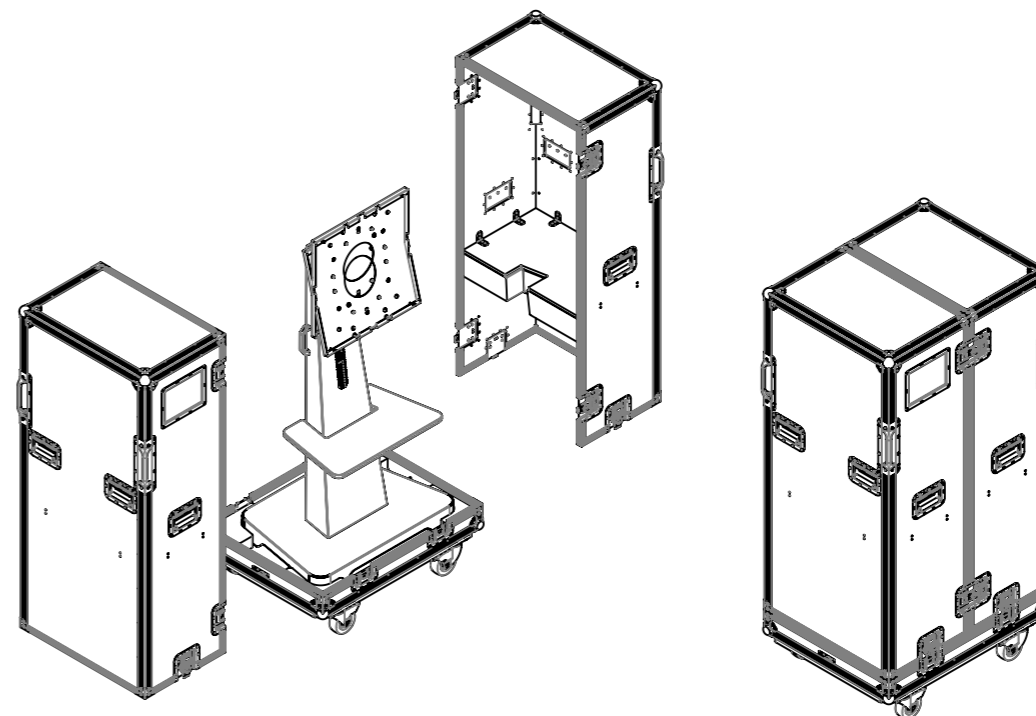


SECTION E-E
SCALE 1 : 12



SECTION D-D
SCALE 1 : 12



NOTES:

REV	DESCRIPTION	DATE
0	ORIGINAL ISSUE	10/31/2022

ESTIMATED WEIGHT (CASE ONLY):

75.59 KG

QUANTITY:

1

ITEM CODE:

SPLIT-INT-MS

DRAWN BY:

HA

CHECKED BY:

AS

SCALE:

NTS



MAIL : sales@armorcases.com.au
 WEB : www.armorcases.com.au