

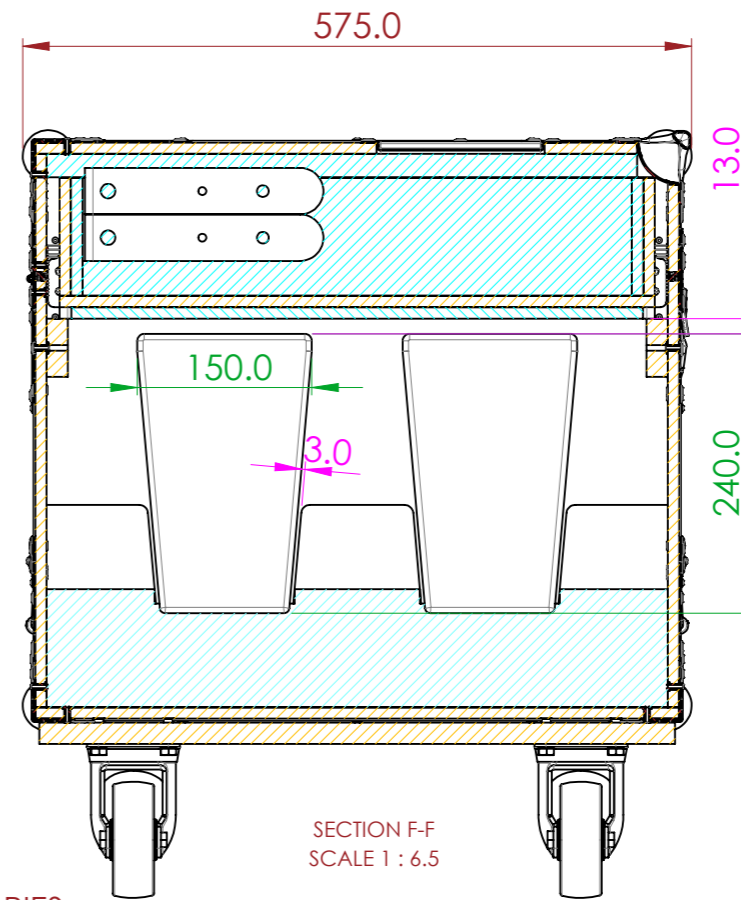
PRODUCT FEATURES

CONSTRUCTION

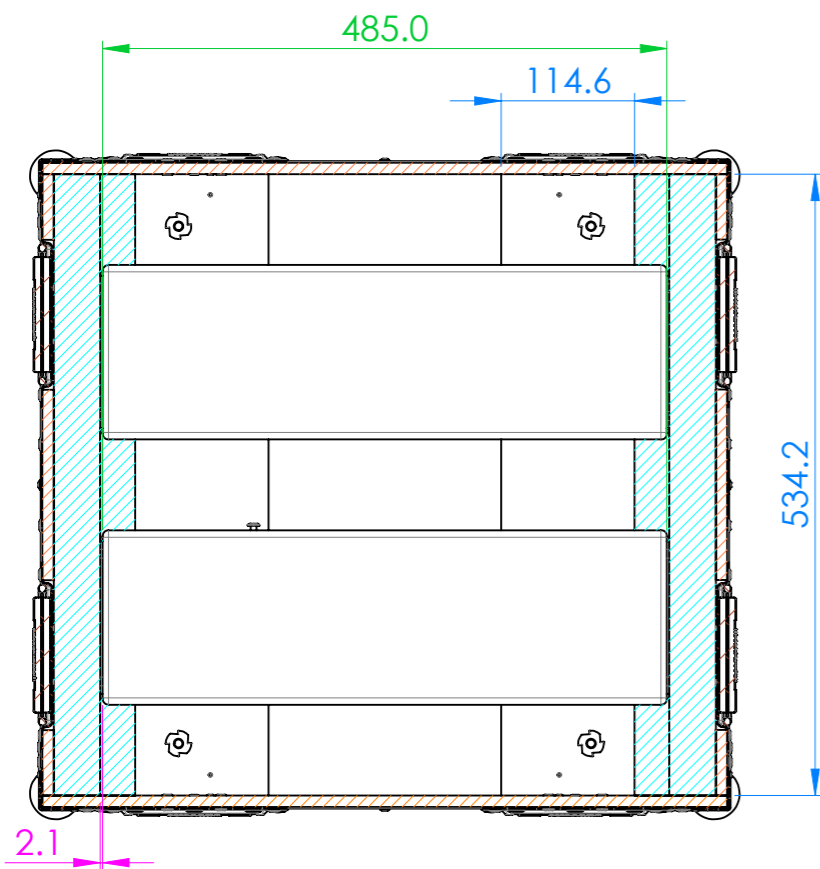
- 9MM HIGH QUALITY PLYWOOD PANEL
- ALUMINIUM EXTRUSIONS
- PENN ELCOM HARDWARE
- STEEL BALL CORNERS
- EVA FOAM

FEATURES

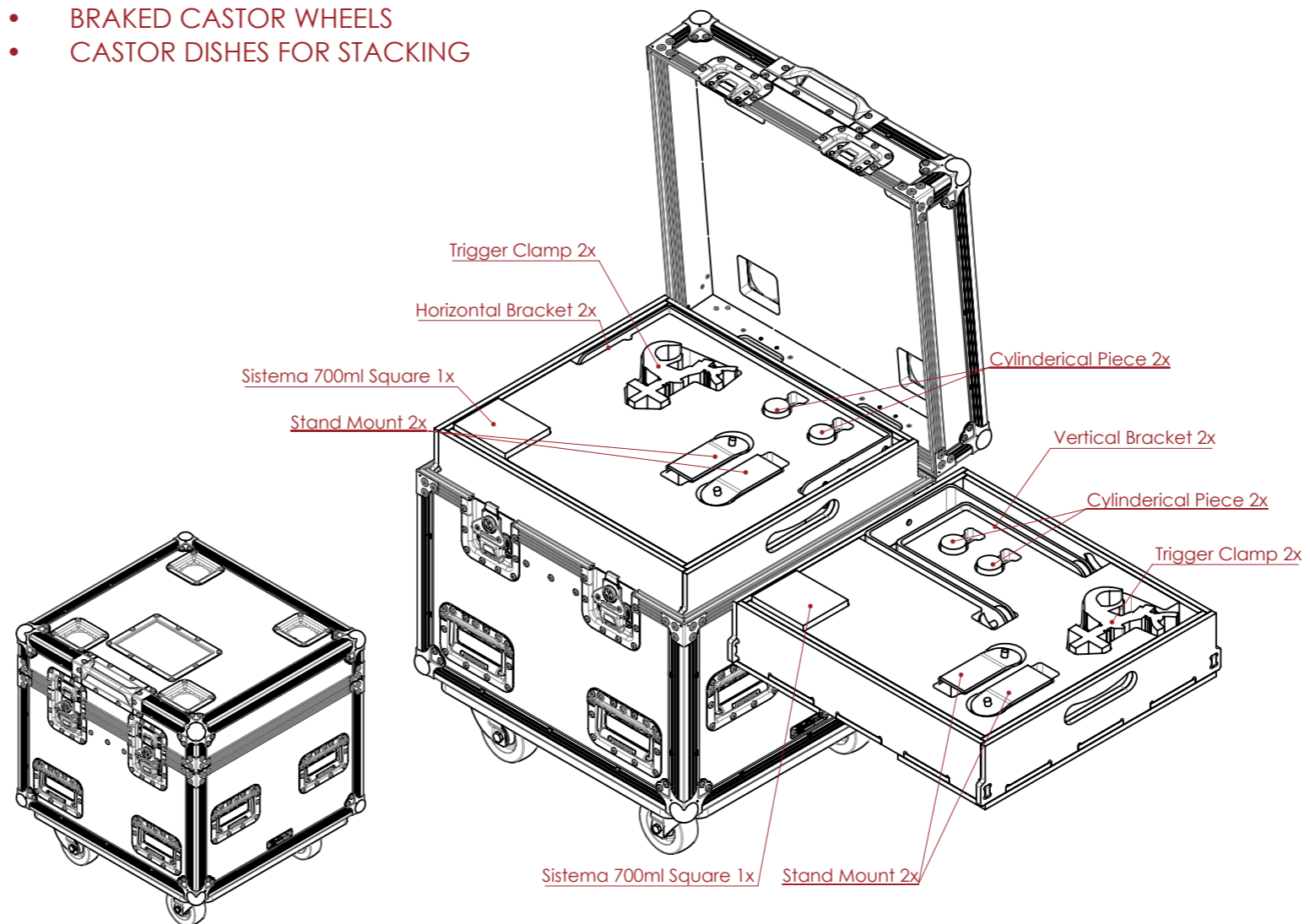
- DEDICATED SPACE FOR 2 VIO X205
- 2 LIFT OUT TRAYS FOR RIGGING ACCESSORIES
- EASY TO USE HINGED LID
- BRAKED CASTOR WHEELS
- CASTOR DISHES FOR STACKING



SECTION F-F
SCALE 1 : 6.5



SECTION A-A
SCALE 1 : 6.5



NOTES:
UNLESS SPECIFIED IN THE DRAWING,
ALL PRODUCTS DISPLAYED IN THIS
DRAWING OTHER THAN THE CASE
ITSELF IS NOT PART OF OUR PRODUCT
OFFERING.

ESTIMATED WEIGHT (CASE ONLY):

40.52 KG

ITEM CODE:

SPK-DBT-VIOX205-FP

DRAWN BY:

HA

CHECKED BY:

AS

SCALE:

NTS



MAIL : sales@armorcases.com.au
WEB : www.armorcases.com.au