

## PRODUCT FEATURES

### CONSTRUCTION

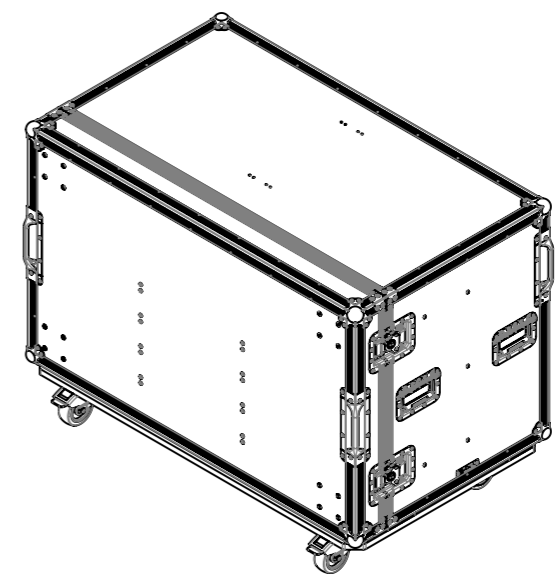
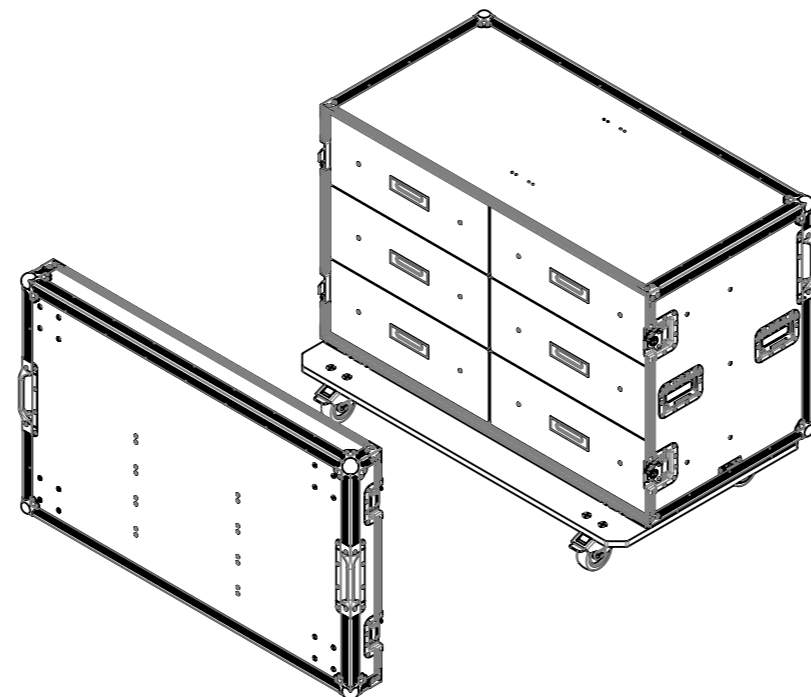
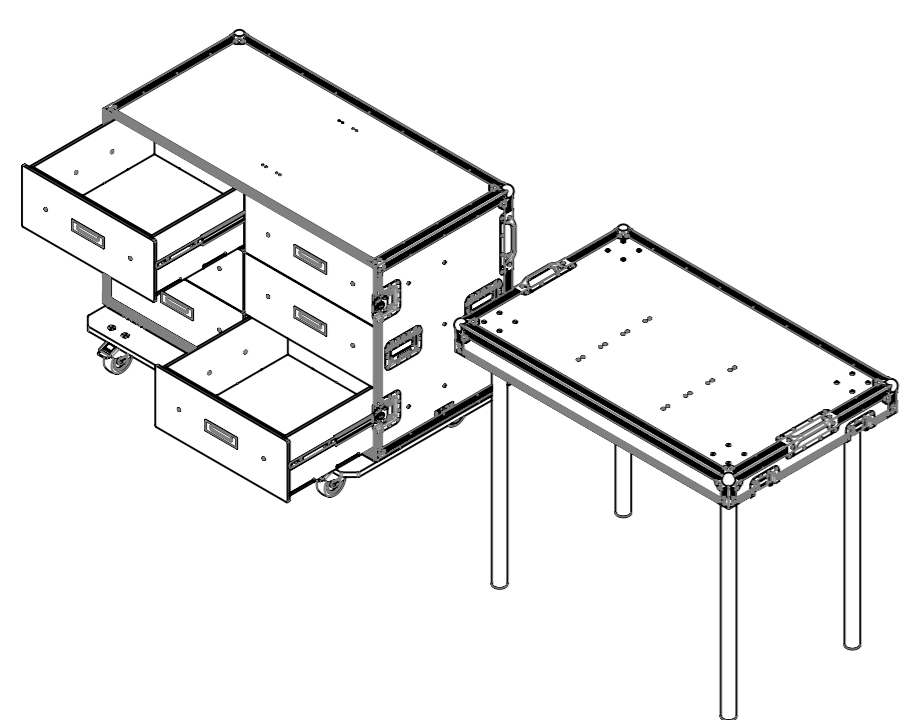
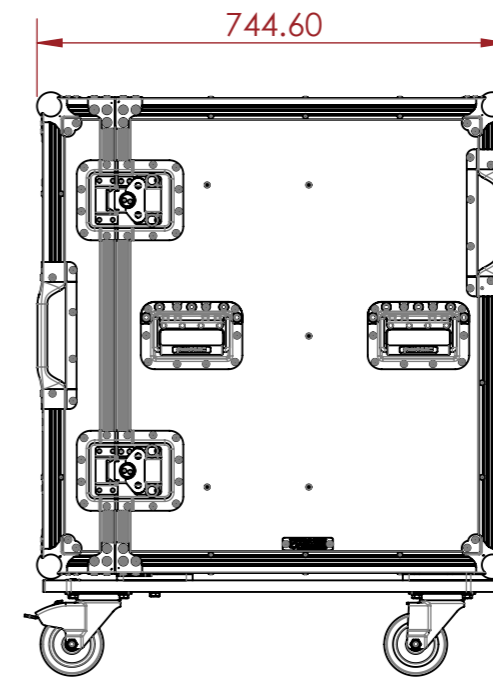
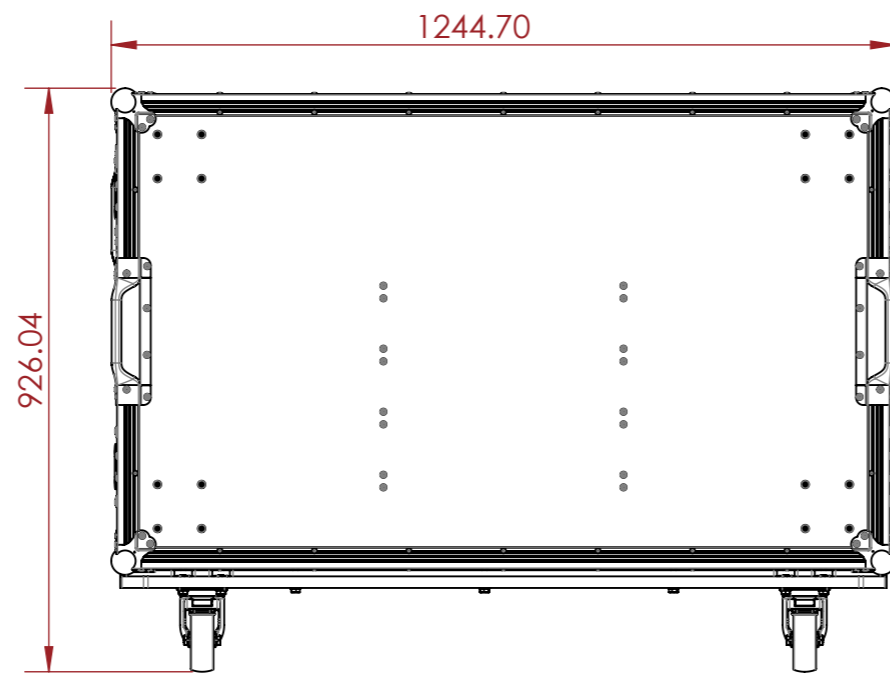
- 12MM BIRCH VENEER PLYWOOD WITH HPL EXTERIOR FACE AND PVC INTERIOR FACE
- PENN ELCOM HARDWARE

### FEATURES

- FRONT REMOVEABLE LID WITH FOLDABLE LEG ASSEMBLY
- 6X DRAWERS MEASURING 544MM X 532MM X 223MM INTERNALLY
- DRAWERS WITH BOTTOM LINED WITH CARPET

### KEY MEASUREMENTS

- FOLDABLE TABLE TOP HEIGHT 1000MM



NOTES:  
UNLESS SPECIFIED IN THE DRAWING,  
ALL PRODUCTS DISPLAYED IN THIS  
DRAWING OTHER THAN THE CASE  
ITSELF IS NOT PART OF OUR PRODUCT  
OFFERING.

ESTIMATED WEIGHT (CASE ONLY):

123.30 KG

ITEM CODE:

UTL-DR6-RL

DRAWN BY:

K.I

CHECKED BY:

AS

SCALE:

NTS



MAIL : [sales@armorcases.com.au](mailto:sales@armorcases.com.au)  
WEB : [www.armorcases.com.au](http://www.armorcases.com.au)