

NOTES:
UNLESS SPECIFIED IN THE DRAWING,
ALL PRODUCTS DISPLAYED IN THIS
DRAWING OTHER THAN THE CASE
ITSELF IS NOT PART OF OUR PRODUCT
OFFERING.

PRODUCT FEATURES

CONSTRUCTION

- 12MM HIGH QUALITY PLYWOOD PANEL
- PENN ELCOM HARDWARE

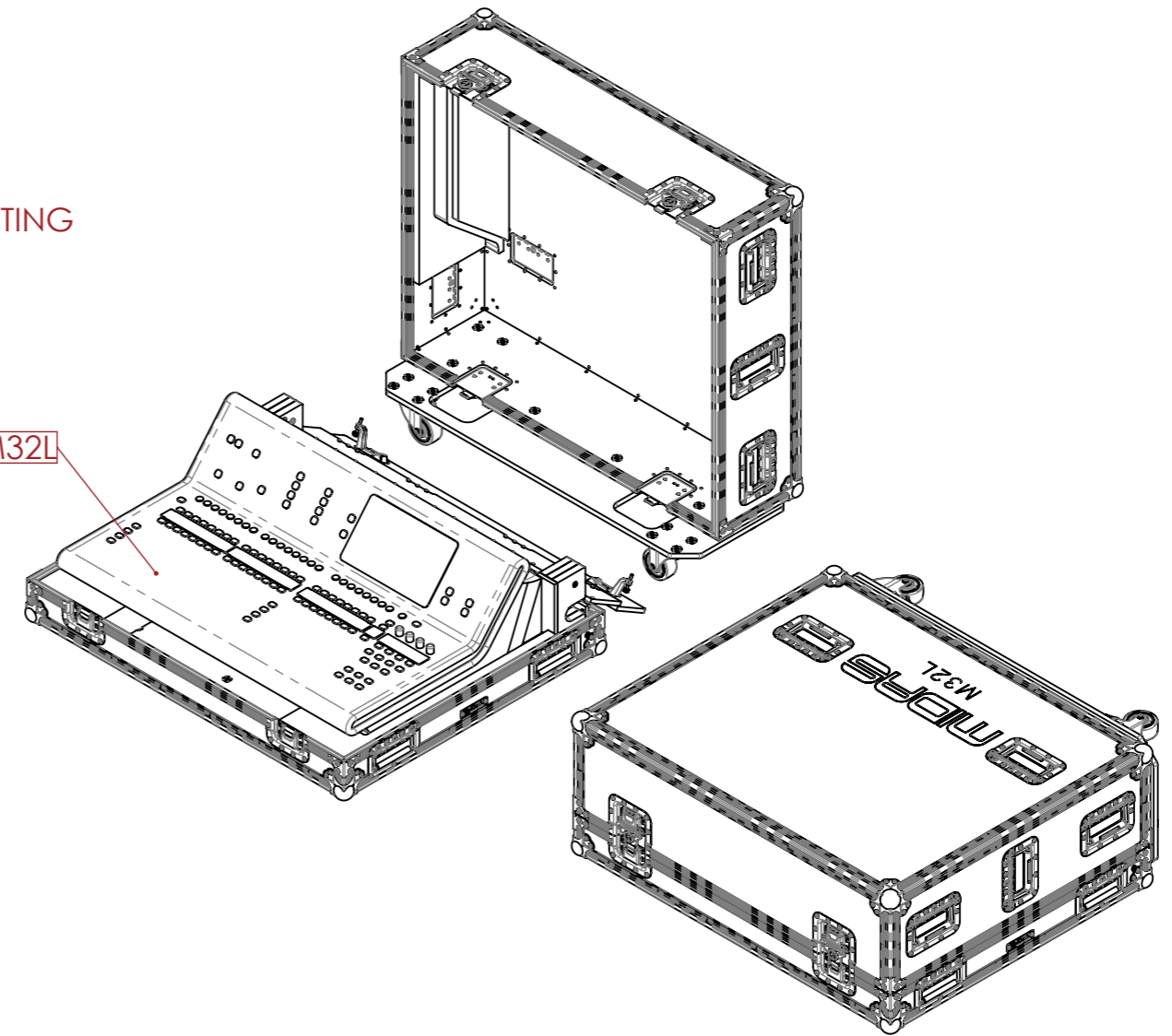
INSTALLED EQUIPMENT

- LARGE LATCHES
- 14x ERGONOIMICALLY PLACED HADNLES FOR LIFTING AND TRANSPORTING
- 10x LARGE RECESSED HANDLES AND 4x SLIM RECESSED HANDLES
- EVA38B FOAM PROTECTION
- 75MM CASTORS

FEATURES

- DEDICATED SPACE FOR MIDAS M32L
- 4x STEEL CASTOR DISHES FOR STACKING
- MAKE AND MODEL ENGRAVING ON THE PANELS

MIDAS M32L



ESTIMATED WEIGHT (CASE ONLY):

45.2 KG

ITEM CODE:

MIXR-MDS-M32L

DRAWN BY:

HA

CHECKED BY:

AS

SCALE:

NTS



MAIL : sales@armorcases.com.au
WEB : www.armorcases.com.au