

PRODUCT FEATURES

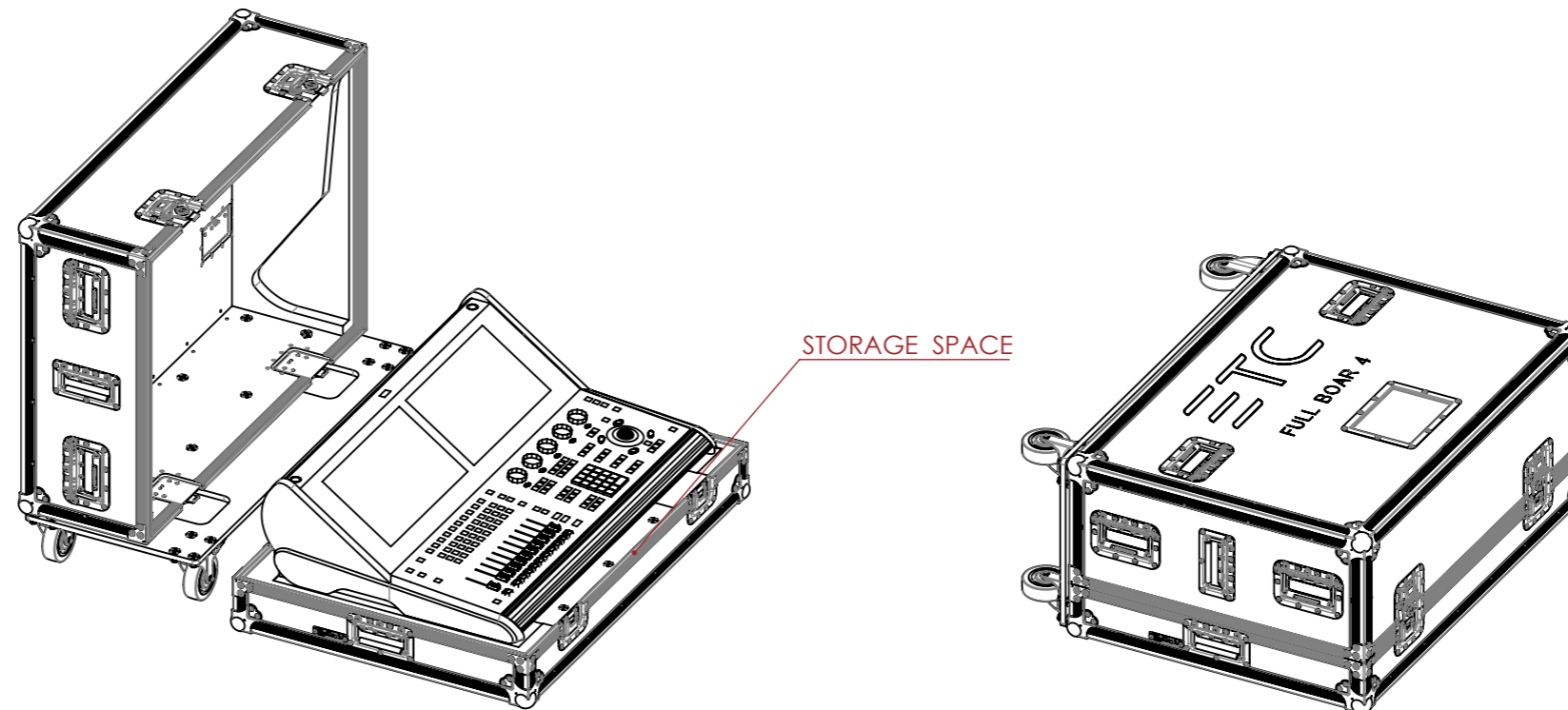
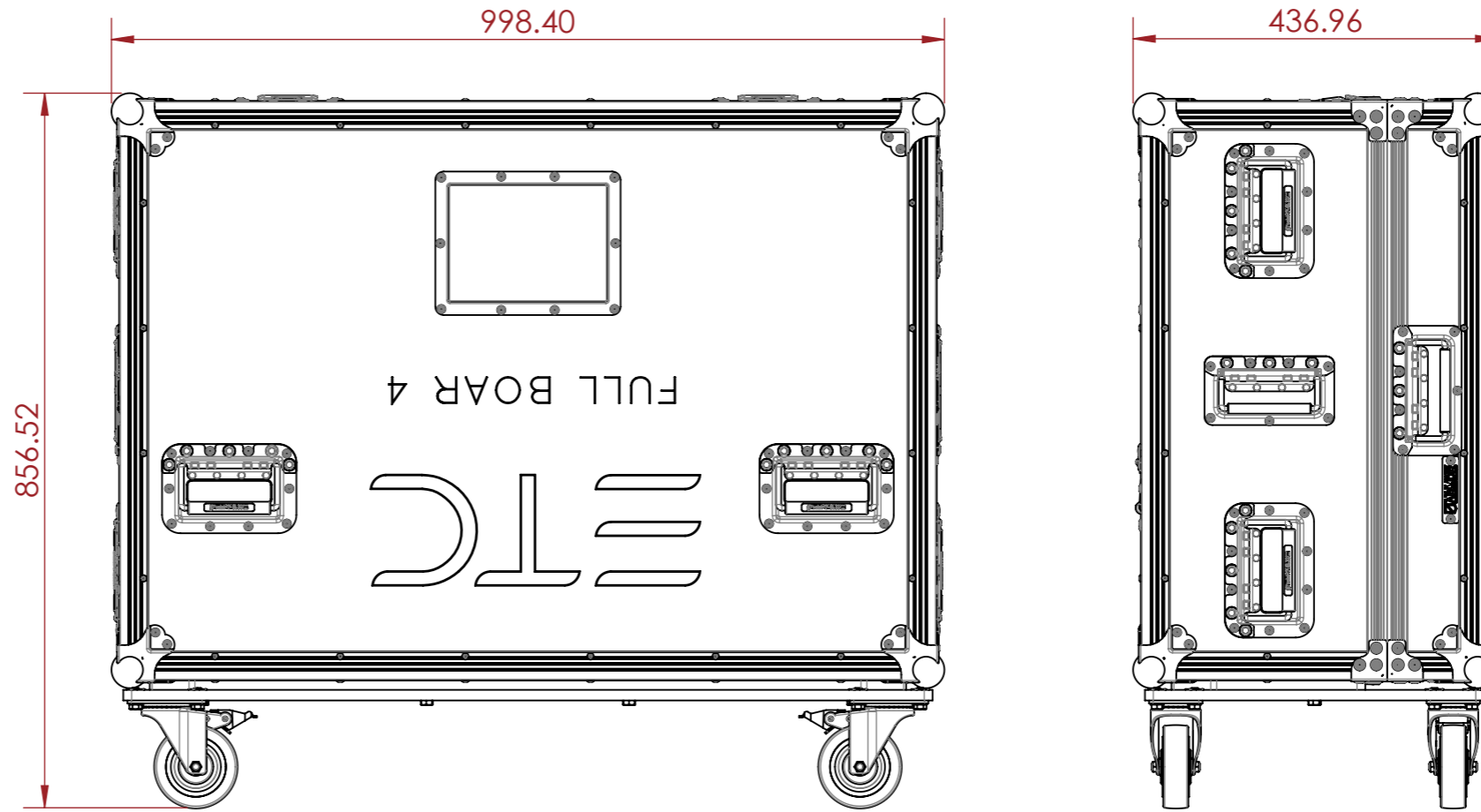
CONSTRUCTION

- 12MM BIRCH VENEER PLYWOOD WITH HPL EXTERIOR FACE AND PVC INTERIOR FACE
- PENN ELCOM HARDWARE

FEATURES

- LIFT-OFF LID FOR ETC FULL BOAR 4 LIGHTING CONSOLE
- STORAGE SPACE UNDERNEATH THE PRODUCT FOR ACCESSORIES
- FRONT LOCKABLE CASTORS
- ENGRAVING & LABEL DISH FOR BETTER IDENTIFICATION

NOTES:
UNLESS SPECIFIED IN THE DRAWING,
ALL PRODUCTS DISPLAYED IN THIS
DRAWING OTHER THAN THE CASE
ITSELF IS NOT PART OF OUR PRODUCT
OFFERING.



ESTIMATED WEIGHT (CASE ONLY):

42.95 KG

ITEM CODE:

LXCTRL-ETC-FB4

DRAWN BY:

KI

CHECKED BY:

AS

SCALE:

NTS



MAIL : sales@armorcases.com.au
WEB : www.armorcases.com.au