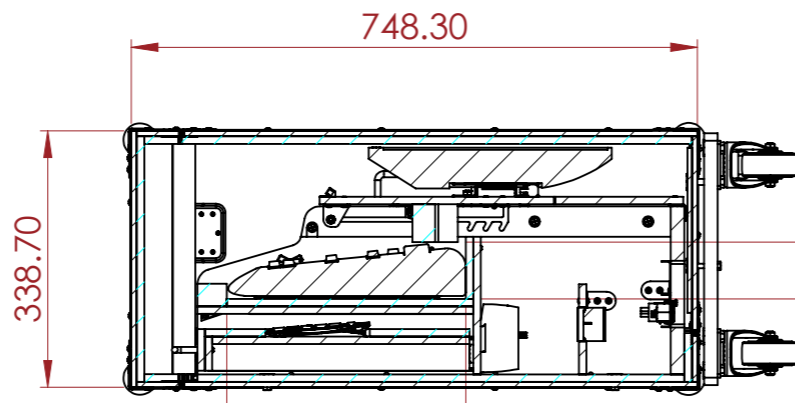
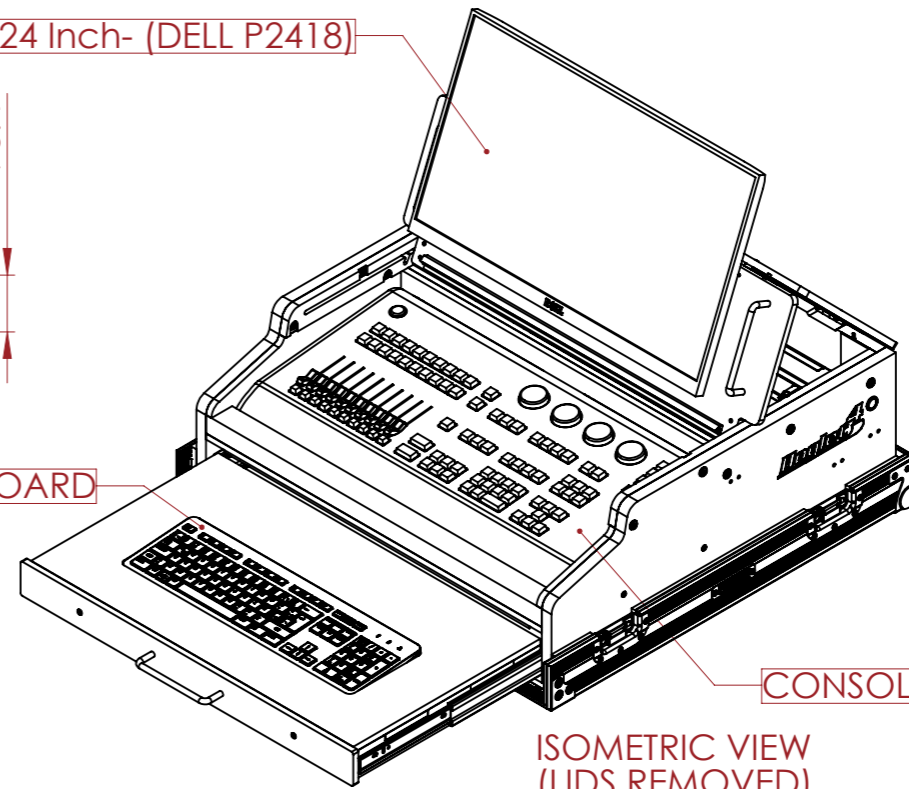


FRONT VIEW

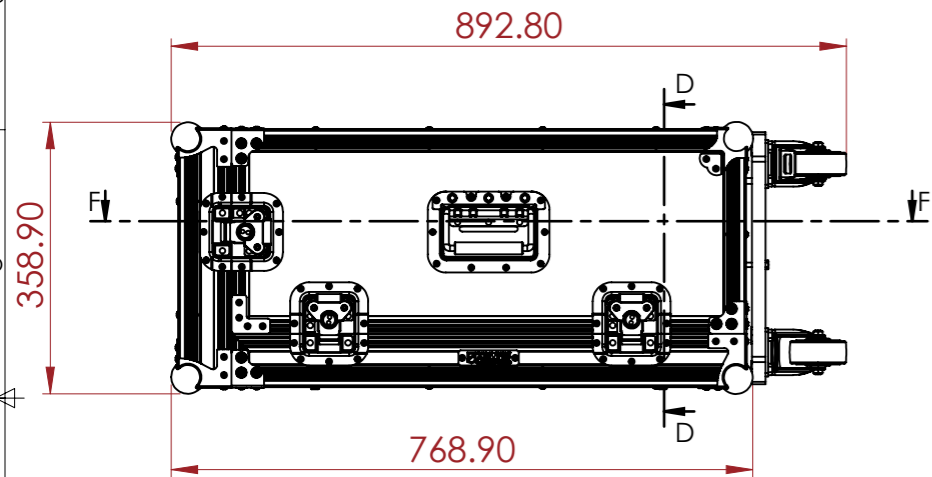


SIDE CUT VIEW

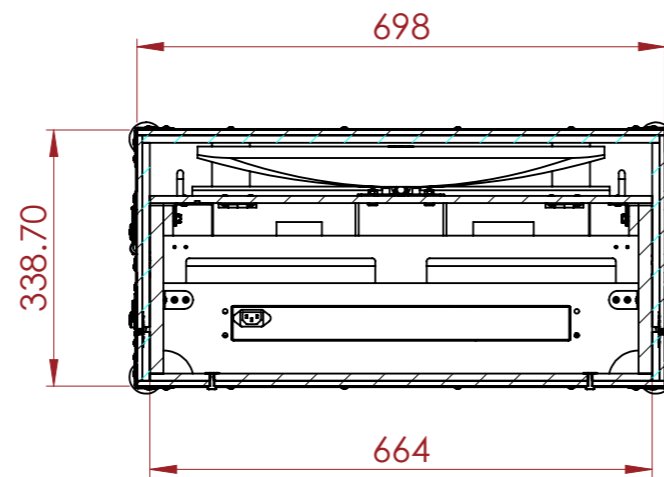
24 Inch- (DELL P2418)



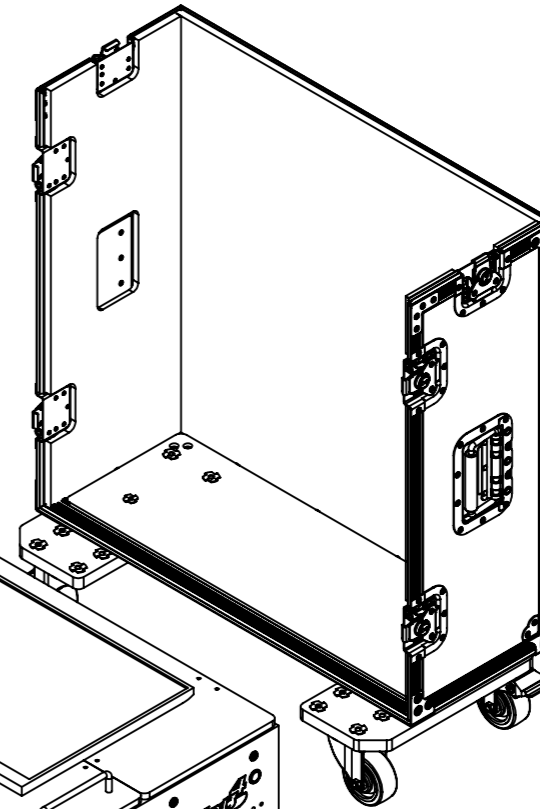
ISOMETRIC VIEW (LIDS REMOVED)



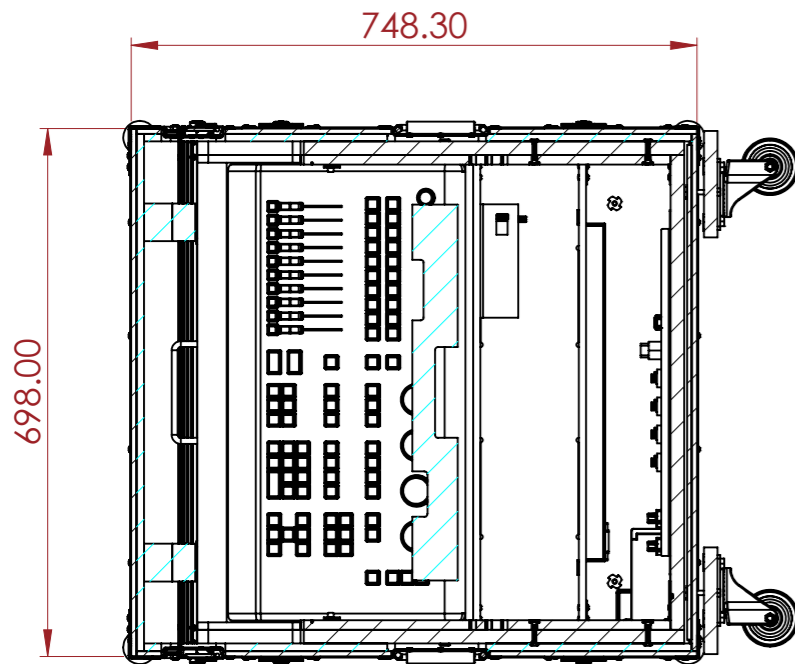
SIDE VIEW



FRONT CUT VIEW

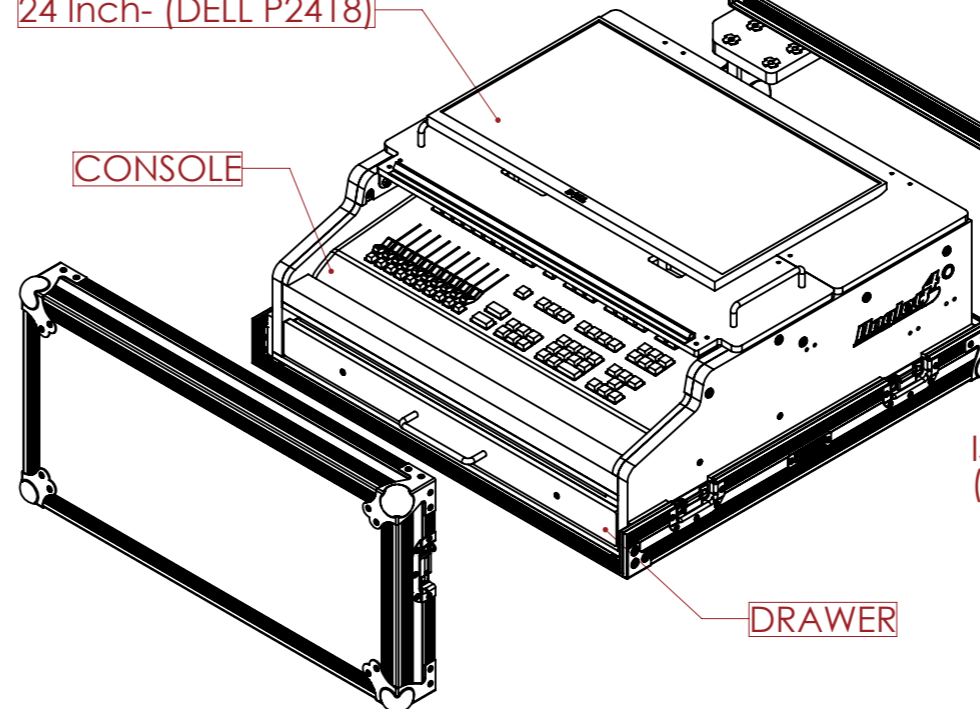


ISOMETRIC VIEW (LIDS OPEN)



TOP CUT VIEW

24 Inch- (DELL P2418)



DRAWER

NOTES:

CUSTOMER:

QUANTITY:

1

DRAWING:

HGL4 Case

DRAWN BY:

DS

CHECKED BY:

AS

SCALE:

1:1

REVISION:

0



ADD : 45/7-9 Percy St,Auburn,
NSW 2144, Australia
PH : 02 9188 6801
MAIL : sales@armorcases.com.au
WEB : www.armorcases.com.au