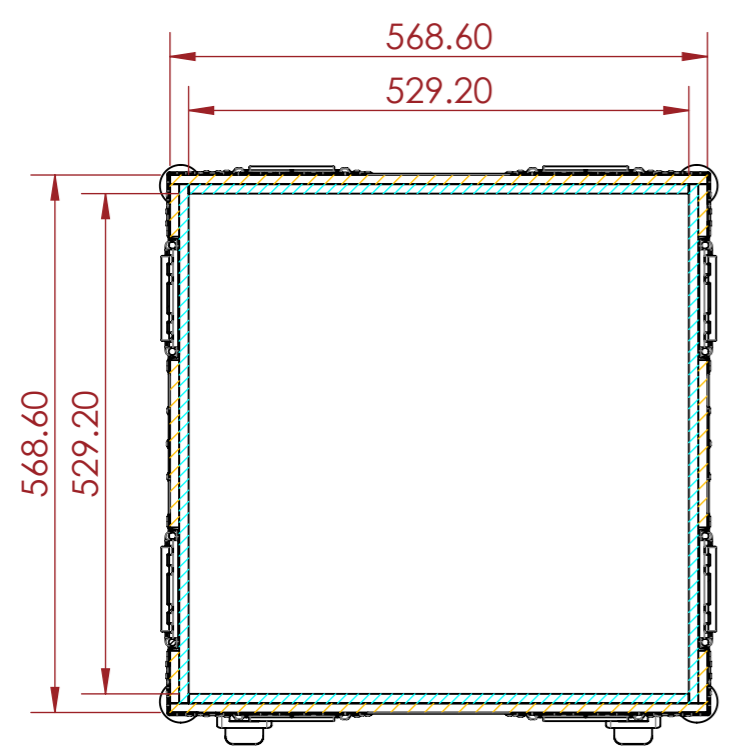
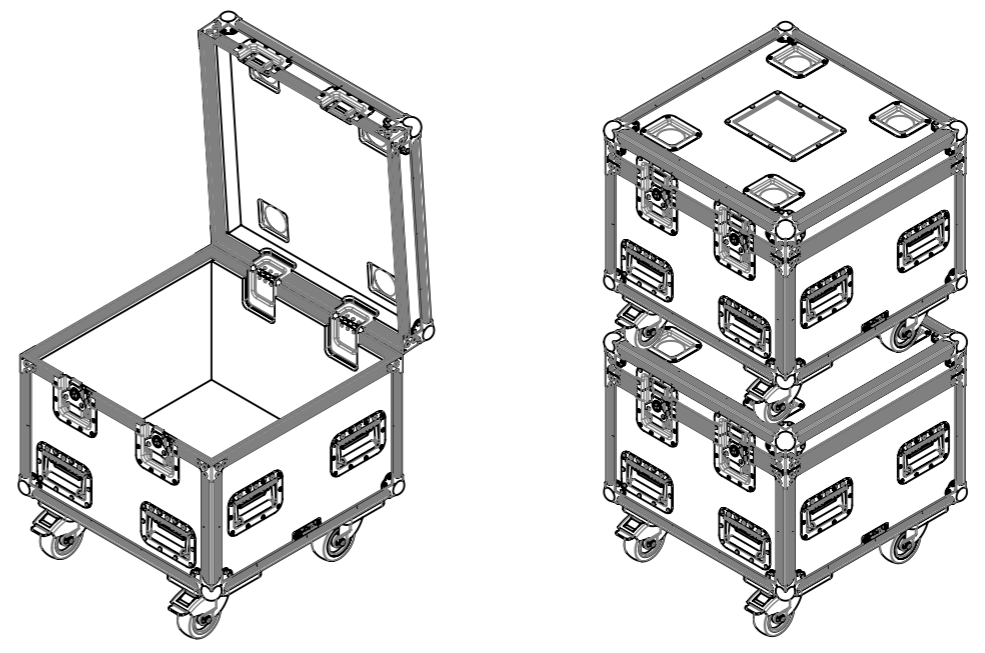


SECTION A-A
SCALE 1:8



SECTION B-B
SCALE 1:8



NOTES:

REV	DESCRIPTION	DATE
0	ORIGINAL ISSUE	10/31/2022

ESTIMATED WEIGHT (CASE ONLY):
24.5 KG

QUANTITY:
1

ITEM CODE:
UTL-CP6060SE

DRAWN BY: **HA** CHECKED BY: **AS**

SCALE:
NTS



MAIL : sales@armorcases.com.au
WEB : www.armorcases.com.au