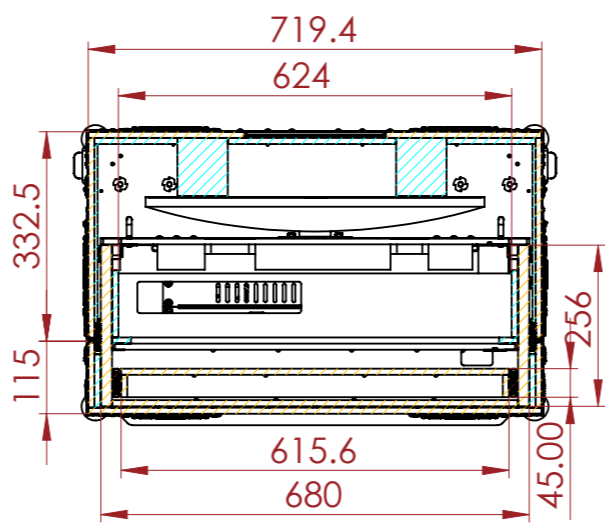
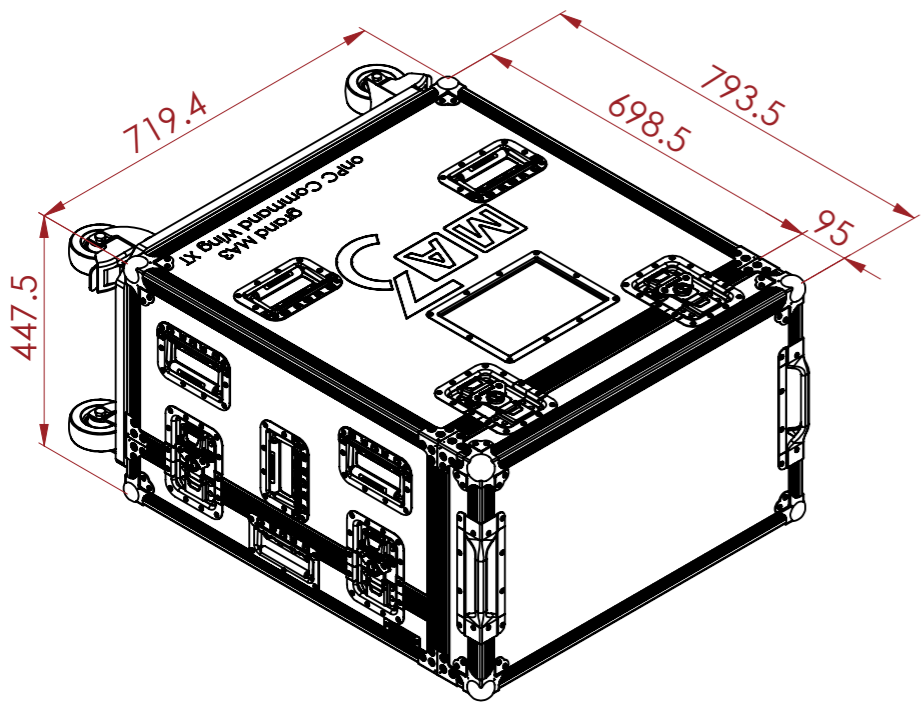


SECTION C-C

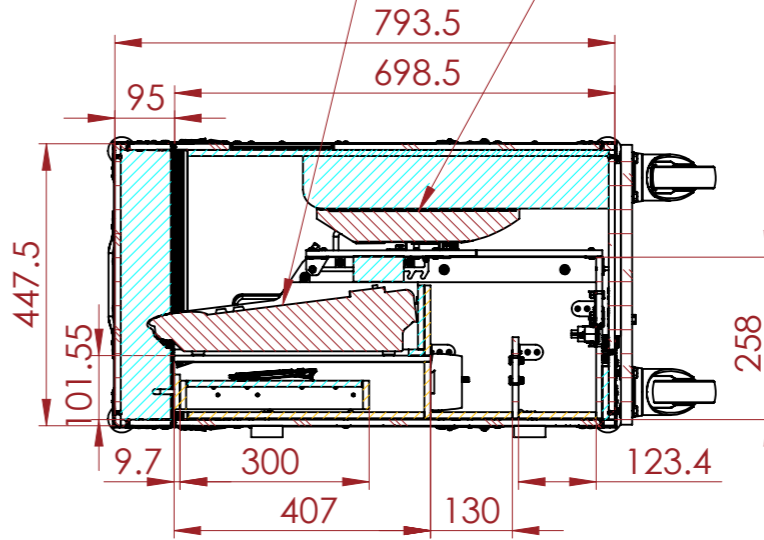
EVA FOAM

MA LGHTENING-grandMA3 on PC command wing XT

24 Inch- (DELL P2418)



SECTION B-B



SECTION A-A

NOTES:

REV	DESCRIPTION	DATE
0	ORIGINAL ISSUE	10/31/2022

ESTIMATED WEIGHT:

72.84KG

QUANTITY:

1

ITEM CODE:

LXCTRL-MA3-FP1

DRAWN BY:

HA

CHECKED BY:

AS

SCALE:

NTS



ADD : 45/7-9 Percy St, Auburn,
NSW 2144, Australia
PH : 02 9188 6801
MAIL : sales@armorcases.com.au
WEB : www.armorcases.com.au