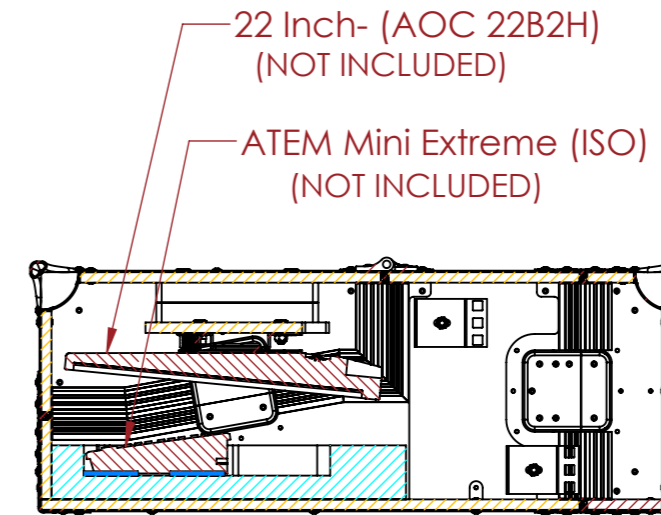
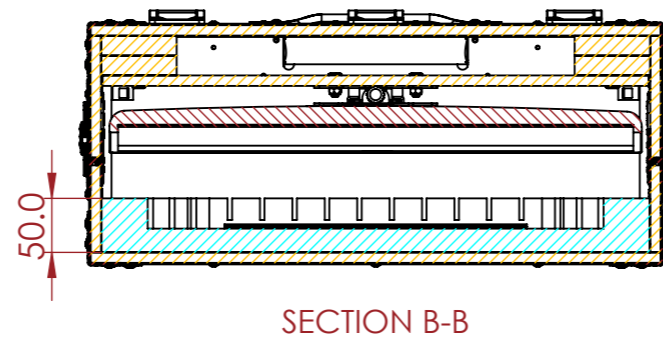
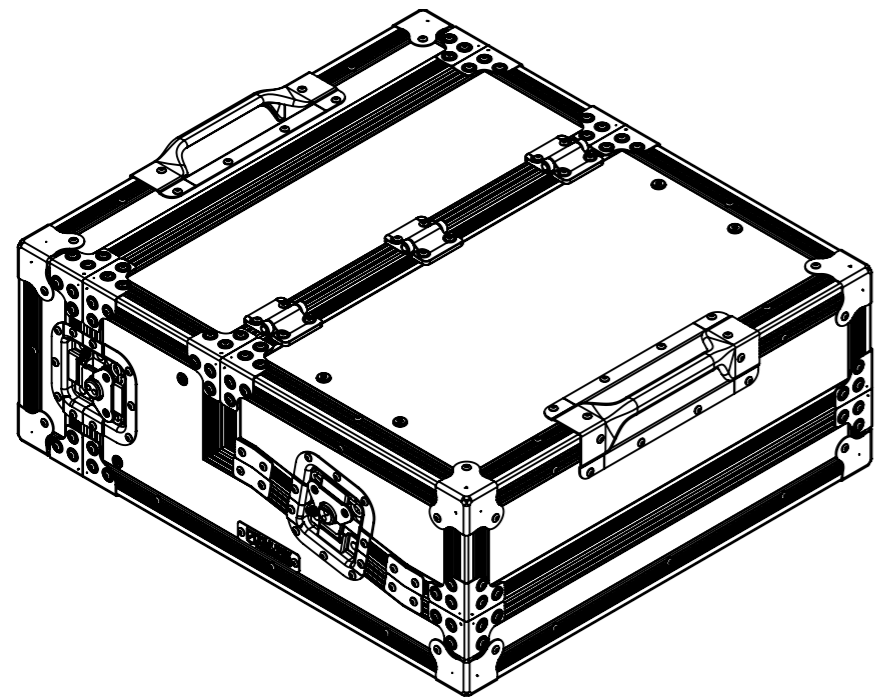


 EVA FOAM
 VELCRO STRIPS

VELCRO STRIPS



NOTES:
 Unless specified in the drawing,
 all products displayed in
 this drawing other than the
 case itself is not part of our
 product offering.

REV	DESCRIPTION	DATE
0	ORIGINAL ISSUE	04/11/2023

ESTIMATED WEIGHT (CASE ONLY):
13.33 KG

QUANTITY:
1

ITEM CODE:
SWIT-BM-ATEM-ME

DRAWN BY: RP CHECKED BY: AS

SCALE:
NTS



MAIL : sales@armorcases.com.au
 WEB : www.armorcases.com.au