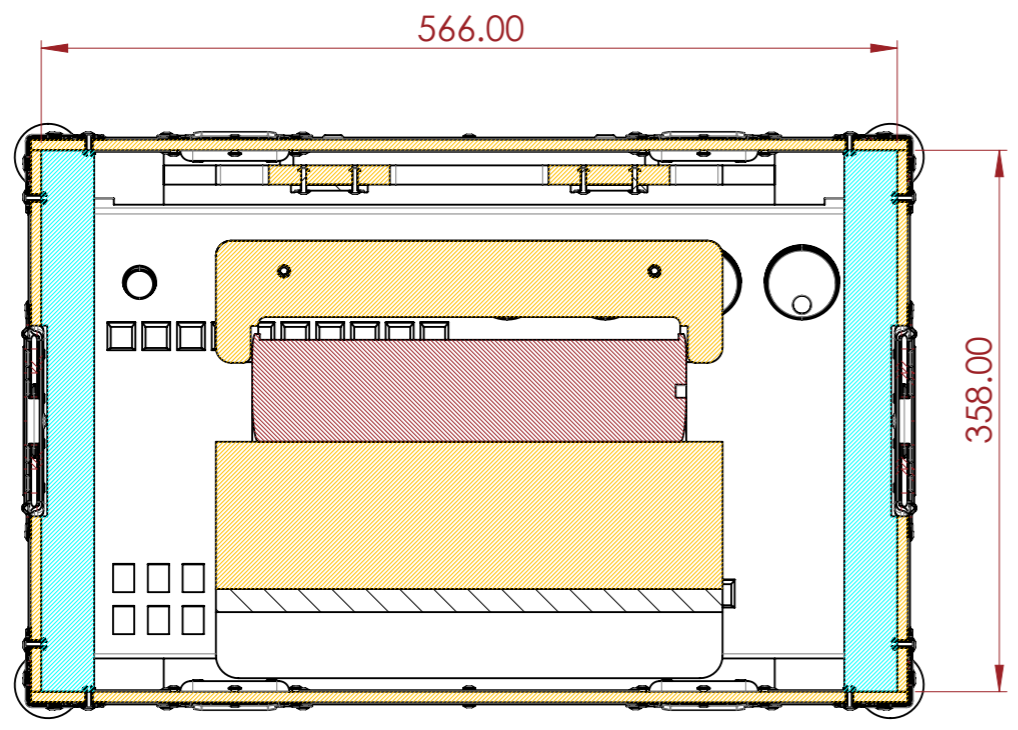
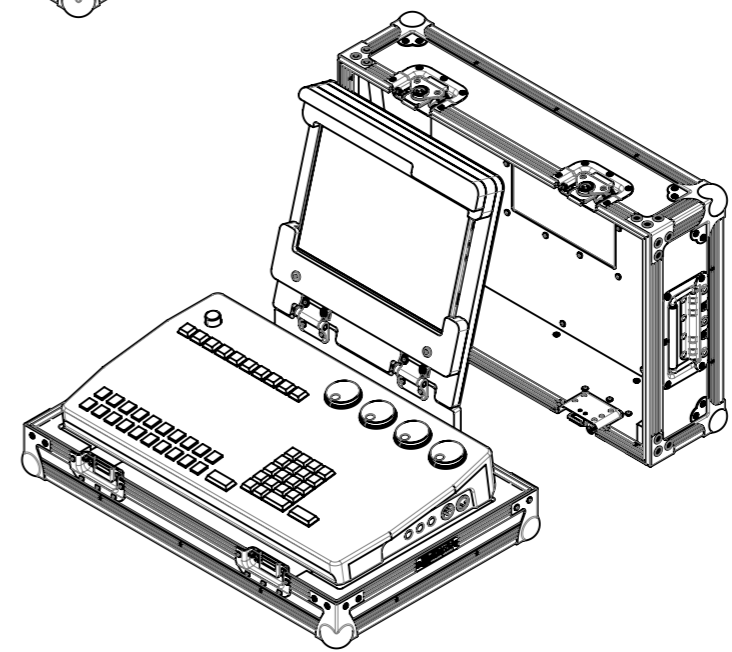
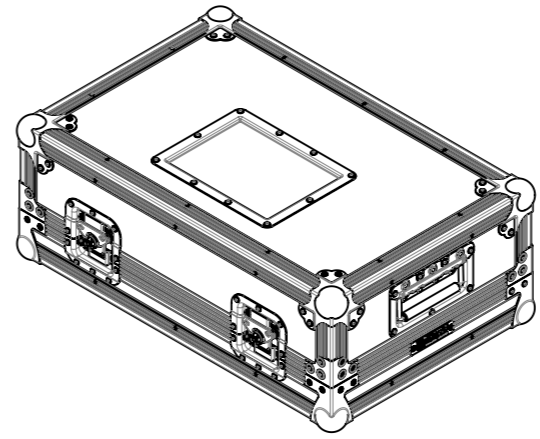


SECTION B-B



SECTION A-A



NOTES:
 Test fit actual item before finishing case building (REMOVE THIS NOTE IF THERE WERE NO ACTUAL ITEM TO FIT IN)

REV	DESCRIPTION	DATE
0	ORIGINAL ISSUE	10/31/2022

ESTIMATED WEIGHT:

13.16 KG

QUANTITY:

1

ITEM CODE:

LXCTRL-OBS-NXW-03

DRAWN BY:

K.I

CHECKED BY:

AS

SCALE:

NTS



ADD : 45/7-9 Percy St, Auburn,
 NSW 2144, Australia
 PH : 02 9188 6801
 MAIL : sales@armorcases.com.au
 WEB : www.armorcases.com.au