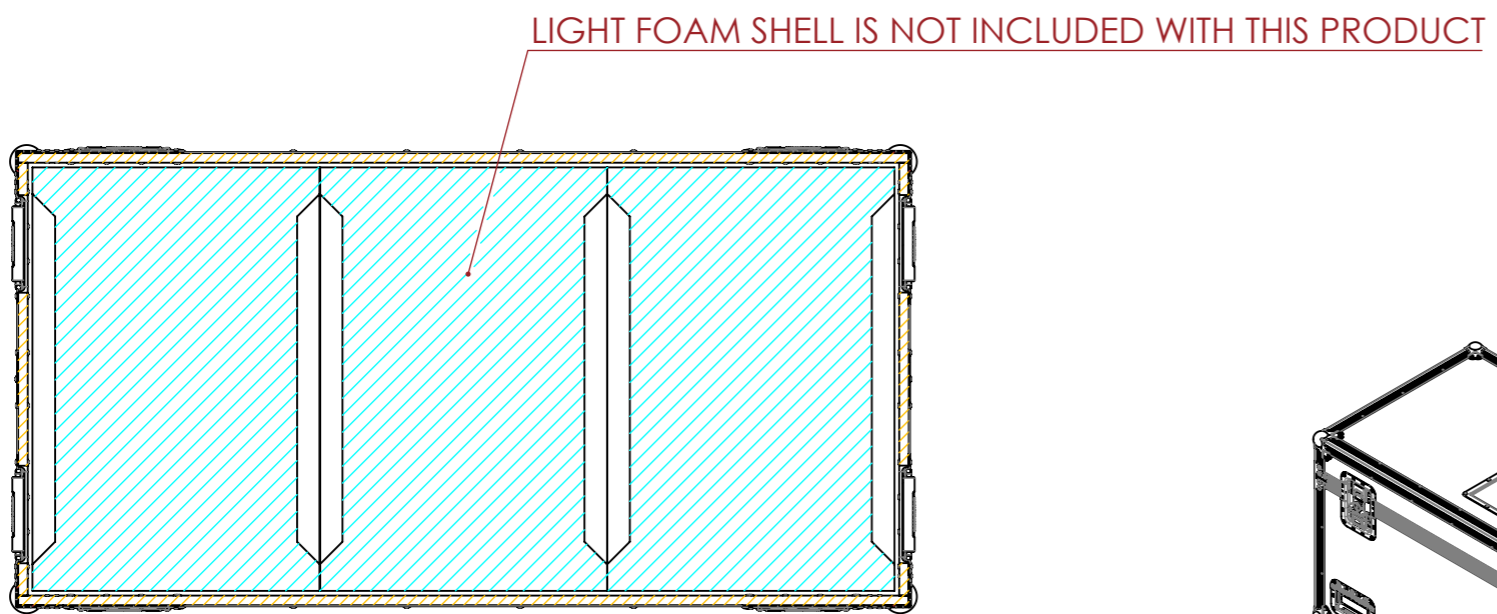
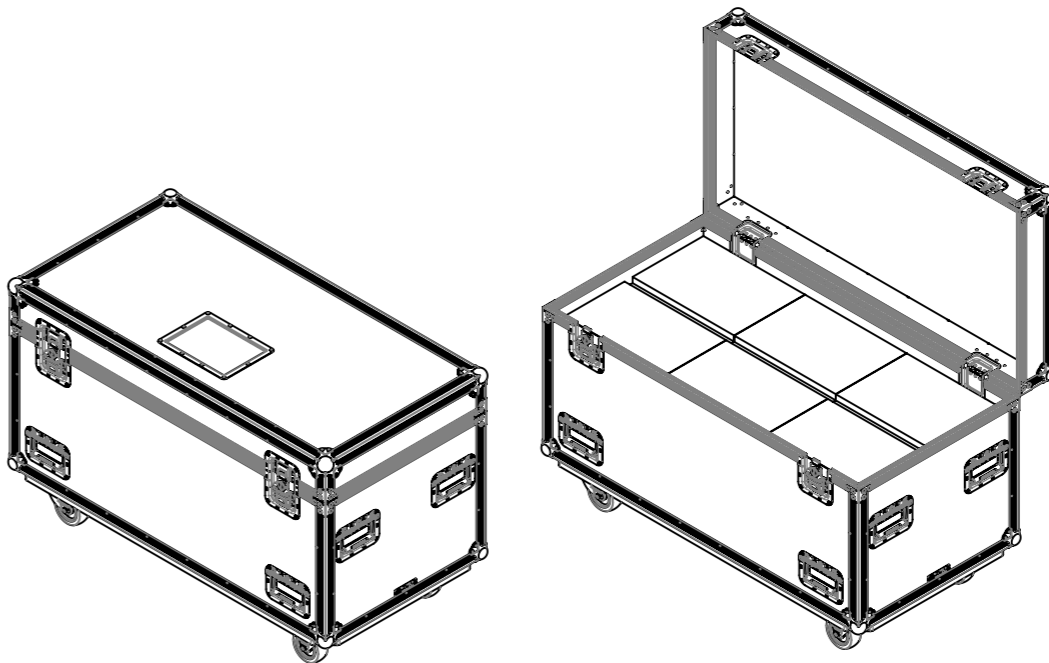


SECTION A-A



SECTION B-B



NOTES:

REV	DESCRIPTION	DATE
0	ORIGINAL ISSUE	10/31/2022

ESTIMATED WEIGHT (CASE ONLY):
51.82 KG

QUANTITY:
1

ITEM CODE:
LXMH-MARTIN-AXB

DRAWN BY: **KI** CHECKED BY: **AS**

SCALE:
NTS



MAIL : sales@armorcases.com.au
WEB : www.armorcases.com.au