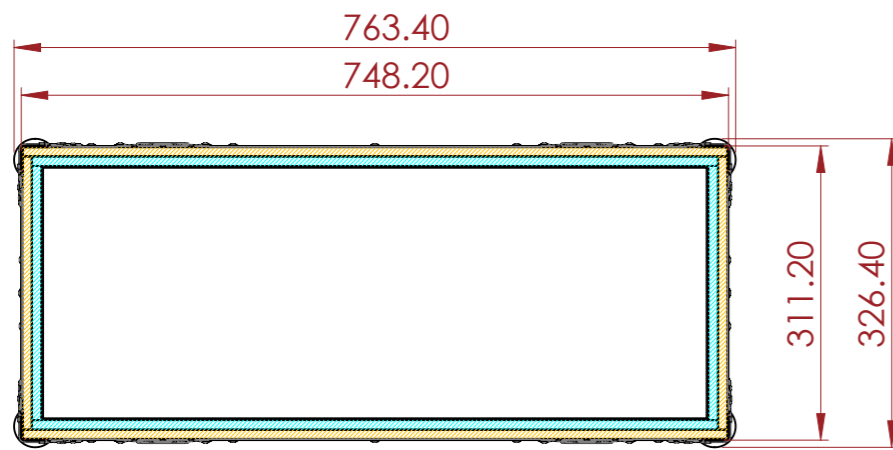
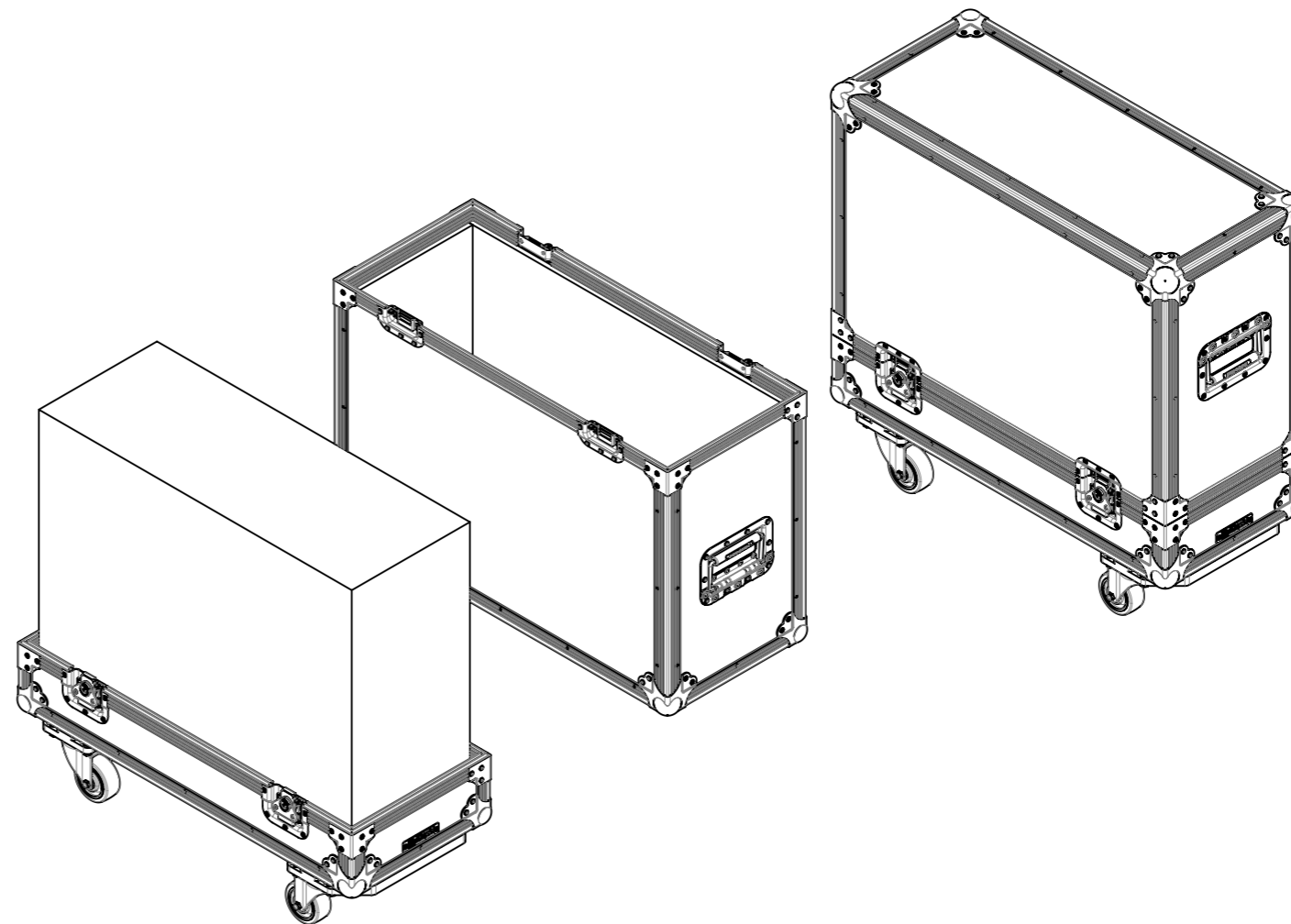


SECTION A-A



SECTION B-B



NOTES:
 Test fit actual item before finishing case building (REMOVE THIS NOTE IF THERE WERE NO ACTUAL ITEM TO FIT IN)

REV	DESCRIPTION	DATE
0	ORIGINAL ISSUE	10/31/2022

ESTIMATED WEIGHT:
52.05 KG

QUANTITY:
1

ITEM CODE:
AMP-VOX-AC30

DRAWN BY: **K.I** CHECKED BY: **AS**

SCALE:
NTS



ADD : 45/7-9 Percy St, Auburn,
 NSW 2144, Australia
 PH : 02 9188 6801
 MAIL : sales@armorcases.com.au
 WEB : www.armorcases.com.au