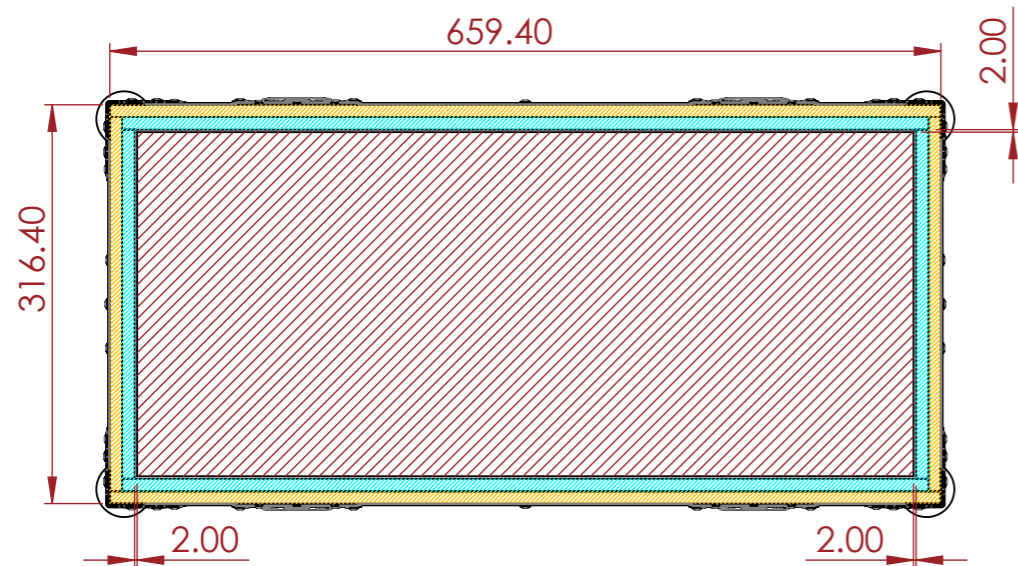
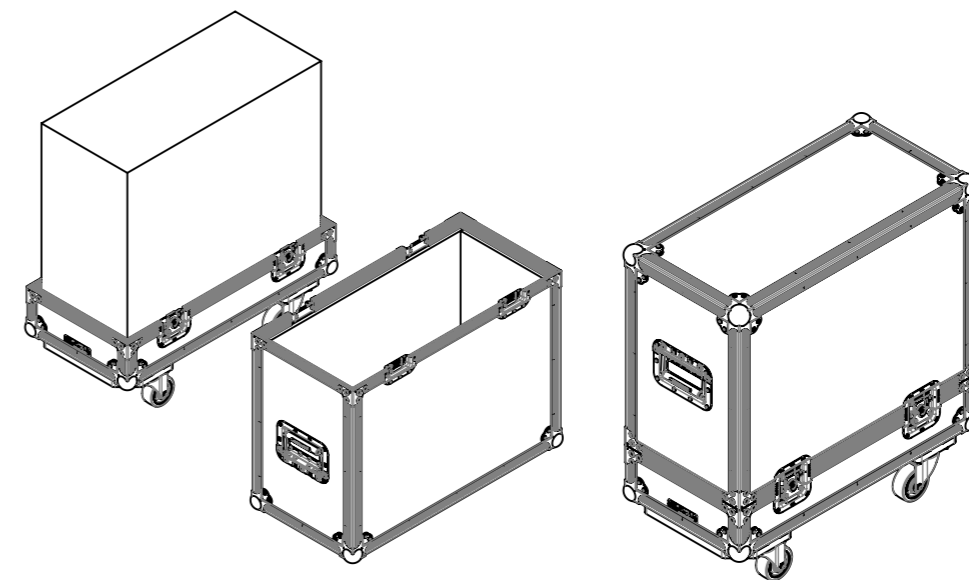


SECTION A-A
SCALE 1 : 6



SECTION B-B
SCALE 1 : 6



NOTES:

REV	DESCRIPTION	DATE
0	ORIGINAL ISSUE	10/31/2022

ESTIMATED WEIGHT (CASE ONLY):
19.36 KG

QUANTITY:
1

ITEM CODE:
AMP-FNDR-HRD212

DRAWN BY: **K.I** CHECKED BY: **AS**

SCALE:
NTS



MAIL : sales@armorcases.com.au
WEB : www.armorcases.com.au