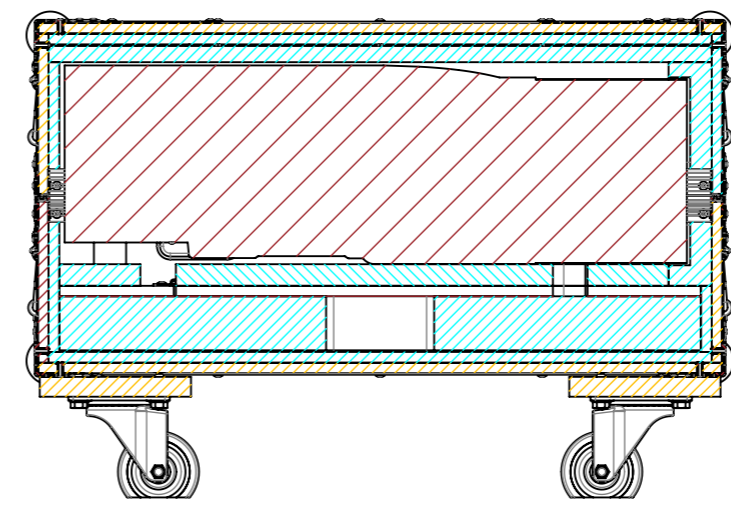
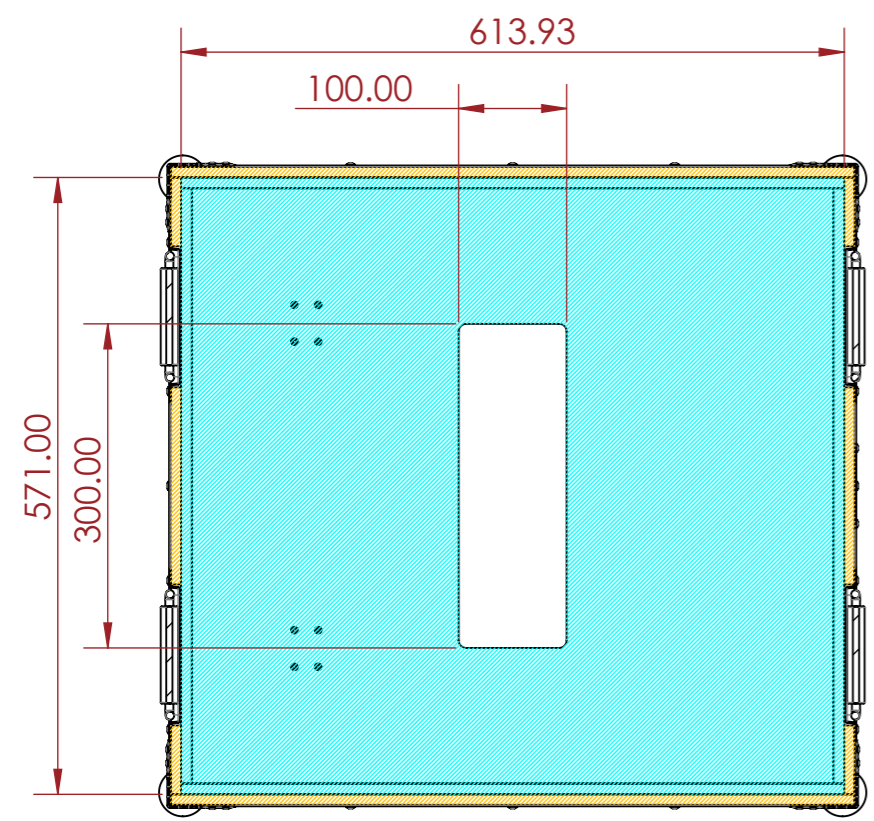


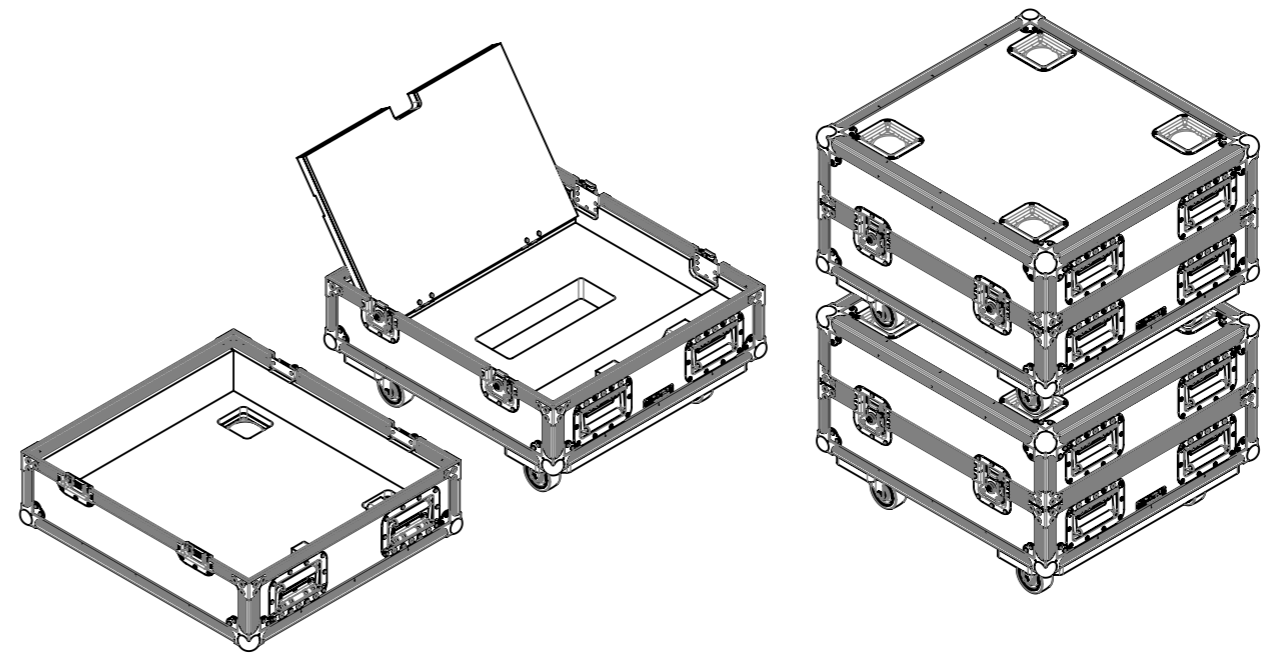
SECTION A-A



SECTION C-C



SECTION B-B



NOTES:

REV	DESCRIPTION	DATE
0	ORIGINAL ISSUE	10/31/2022

ESTIMATED WEIGHT (CASE ONLY):

26.33 KG

QUANTITY:

1

ITEM CODE:

PJTR-EPSN-PU1008

DRAWN BY:

KI

CHECKED BY:

AS

SCALE:

NTS



ADD : 45/7-9 Percy St, Auburn,  
NSW 2144, Australia  
PH : 02 9188 6801  
MAIL : sales@armorcases.com.au  
WEB : www.armorcases.com.au