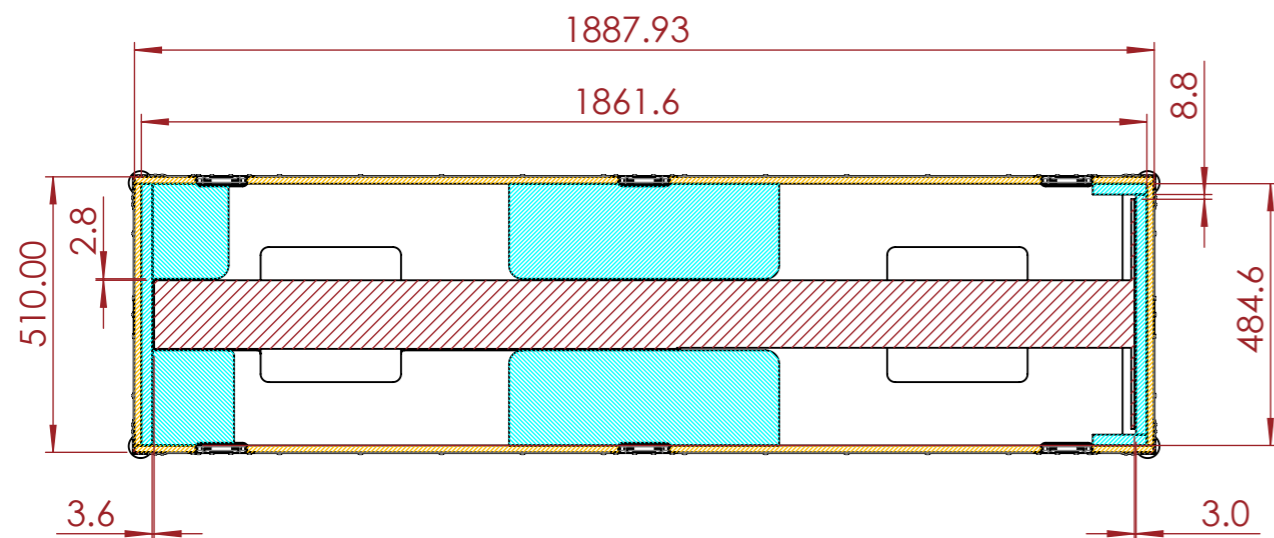
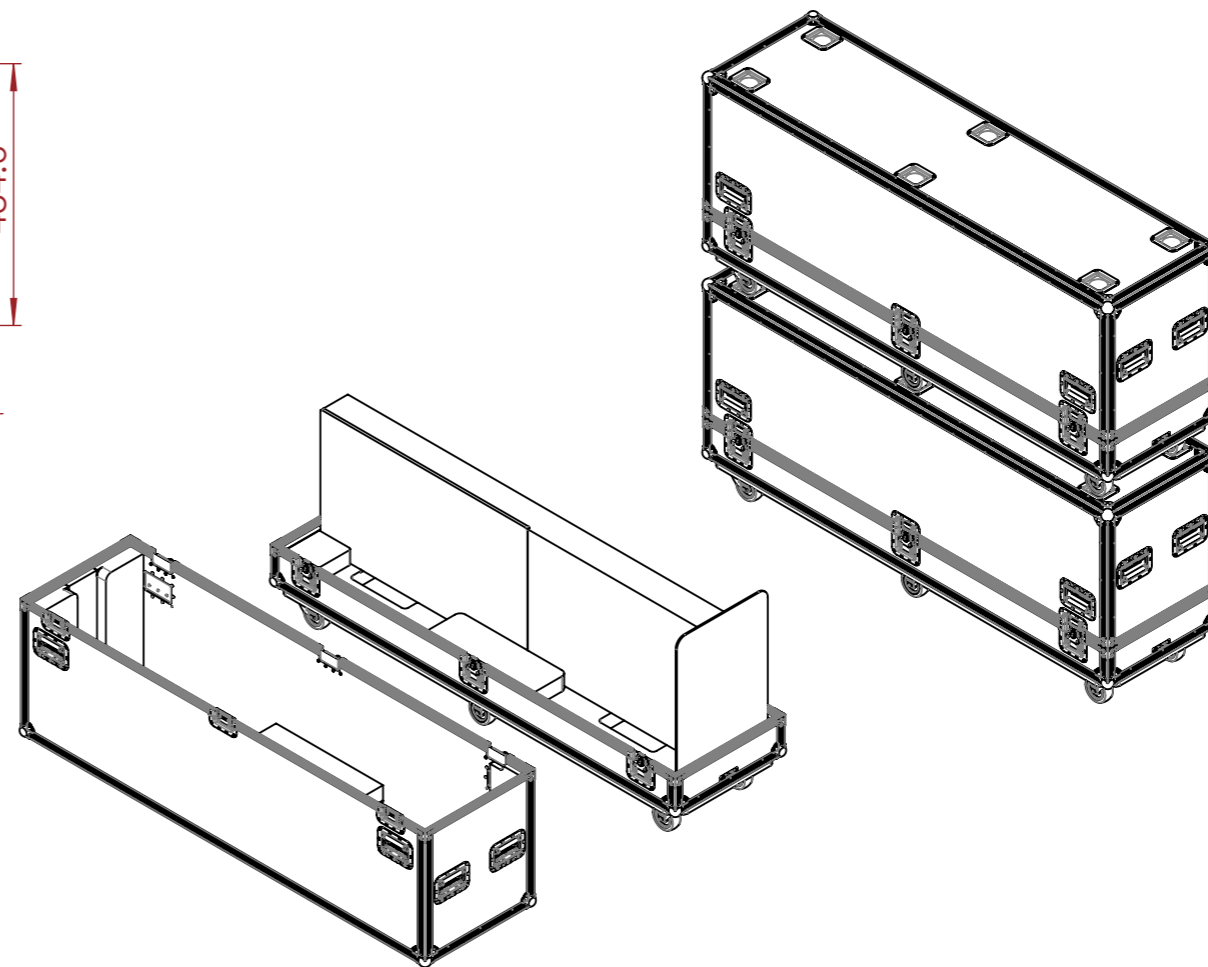


SECTION B-B
SCALE 1 : 14



SECTION A-A
SCALE 1 : 14



NOTES:

REV	DESCRIPTION	DATE
0	ORIGINAL ISSUE	10/31/2022

ESTIMATED WEIGHT (CASE ONLY):

83.03 KG

QUANTITY:

1

ITEM CODE:

LOL-TQL-43PT

DRAWN BY:

HA

CHECKED BY:

AS

SCALE:

NTS



ADD : 45/7-9 Percy St, Auburn,
NSW 2144, Australia
PH : 02 9188 6801
MAIL : sales@armorcases.com.au
WEB : www.armorcases.com.au