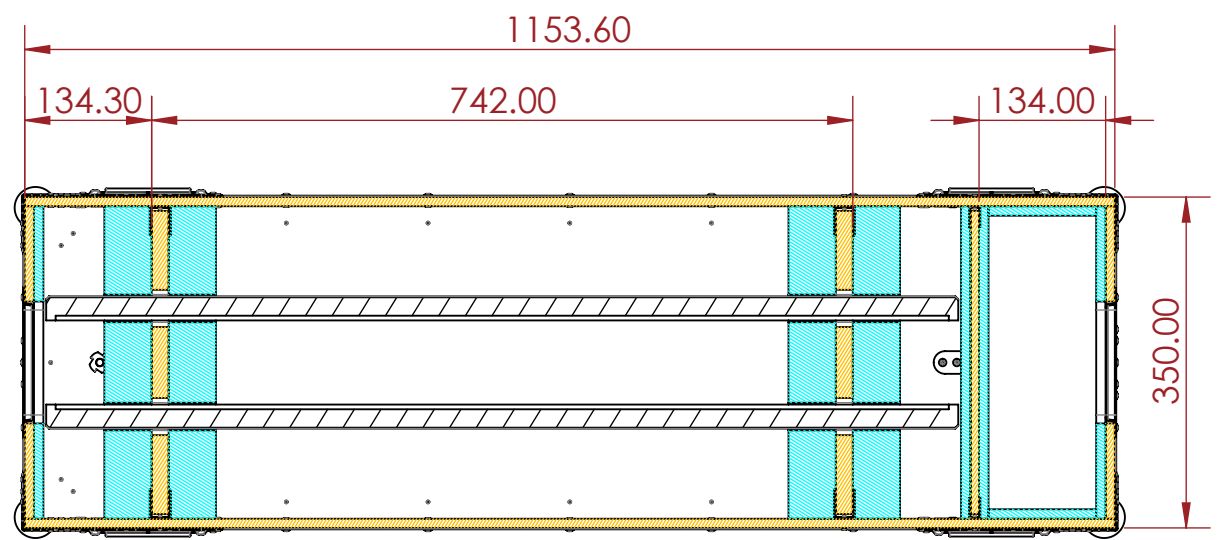
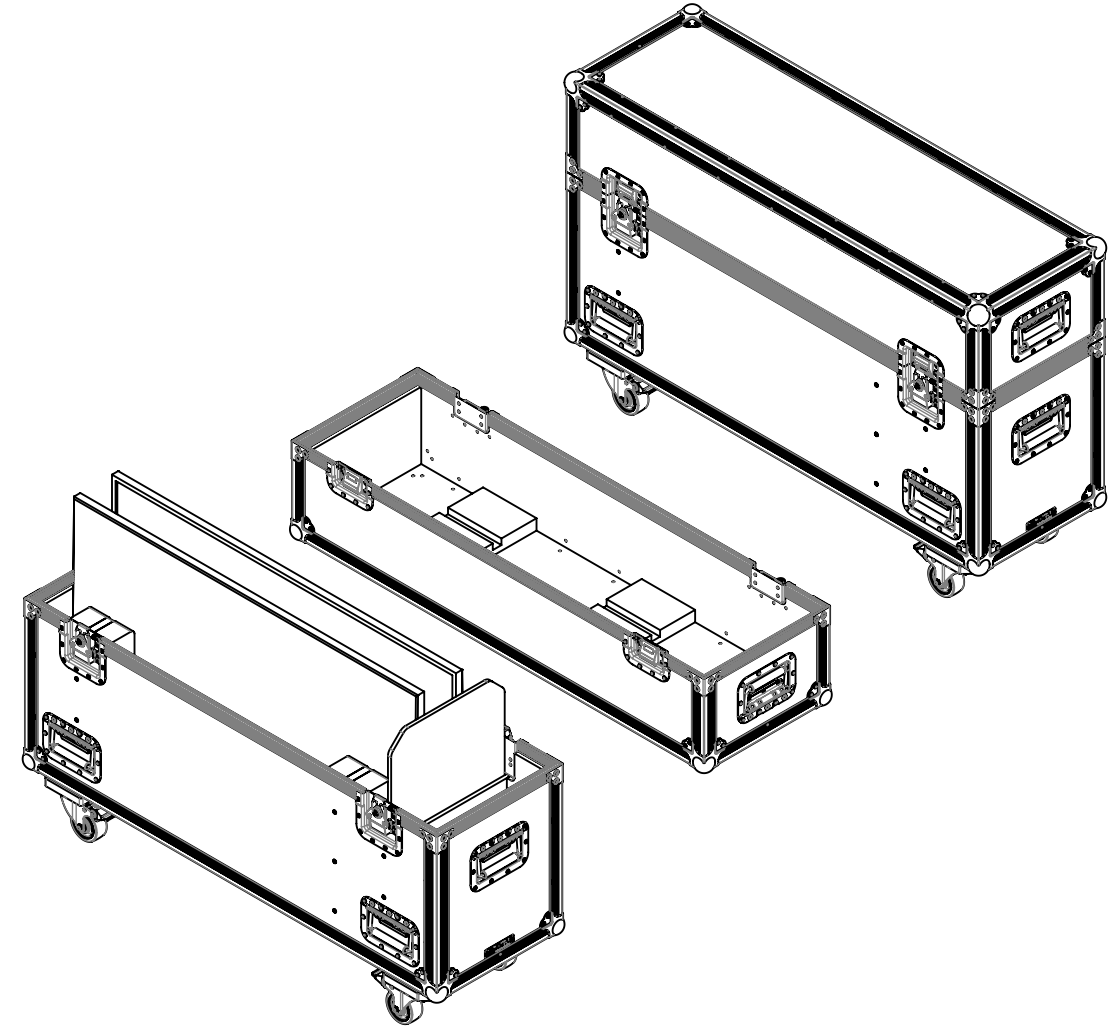


SECTION A-A



SECTION B-B



NOTES:

CUSTOMER:  
Ed Chapman  
QUANTITY:  
01  
DRAWING:  
TV43D-SS-BU8000

DRAWN BY: K.I	CHECKED BY: A.S
SCALE: NTS	REVISION: 0



ADD : 45/7-9 Percy St, Auburn,  
NSW 2144, Australia  
PH : 02 9188 6801  
MAIL : sales@armorcases.com.au  
WEB : www.armorcases.com.au