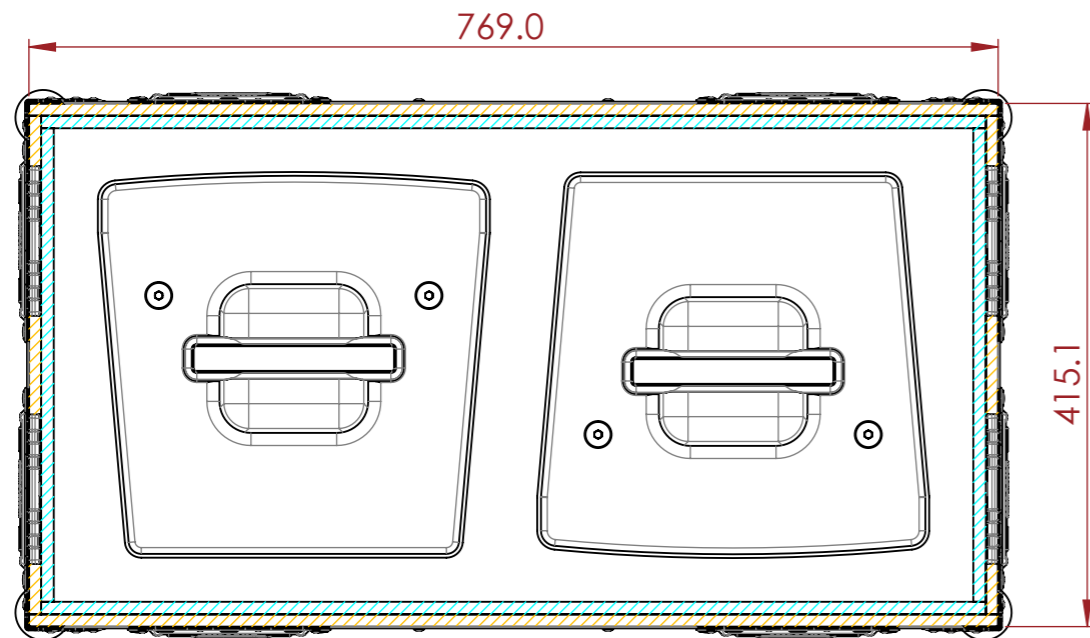
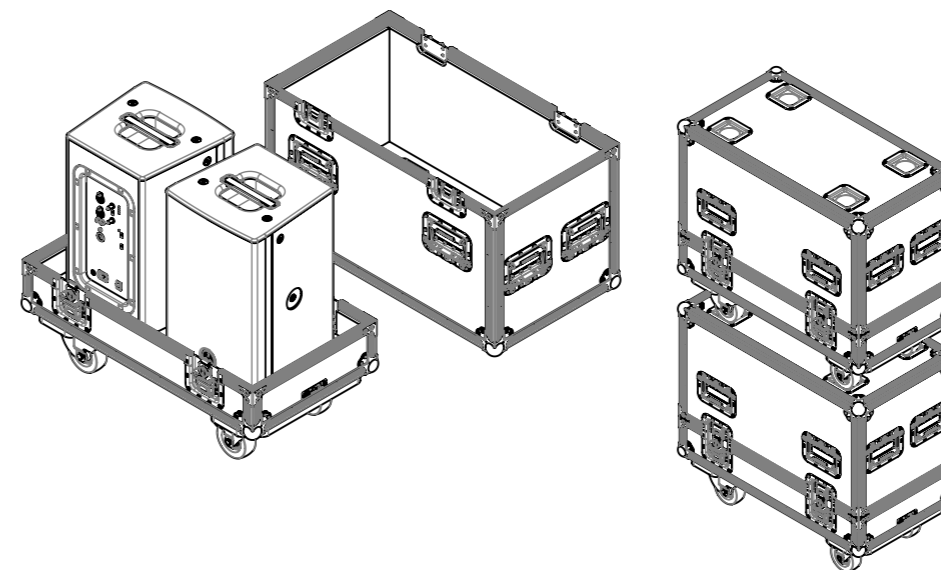


SECTION D-D
SCALE 1 : 6



SECTION B-B
SCALE 1 : 6



NOTES:

REV	DESCRIPTION	DATE
0	ORIGINAL ISSUE	10/31/2022

ESTIMATED WEIGHT (CASE ONLY):

27.87 KG

QUANTITY:

1

ITEM CODE:

SPK-YMH-DHR10

DRAWN BY:

HA

CHECKED BY:

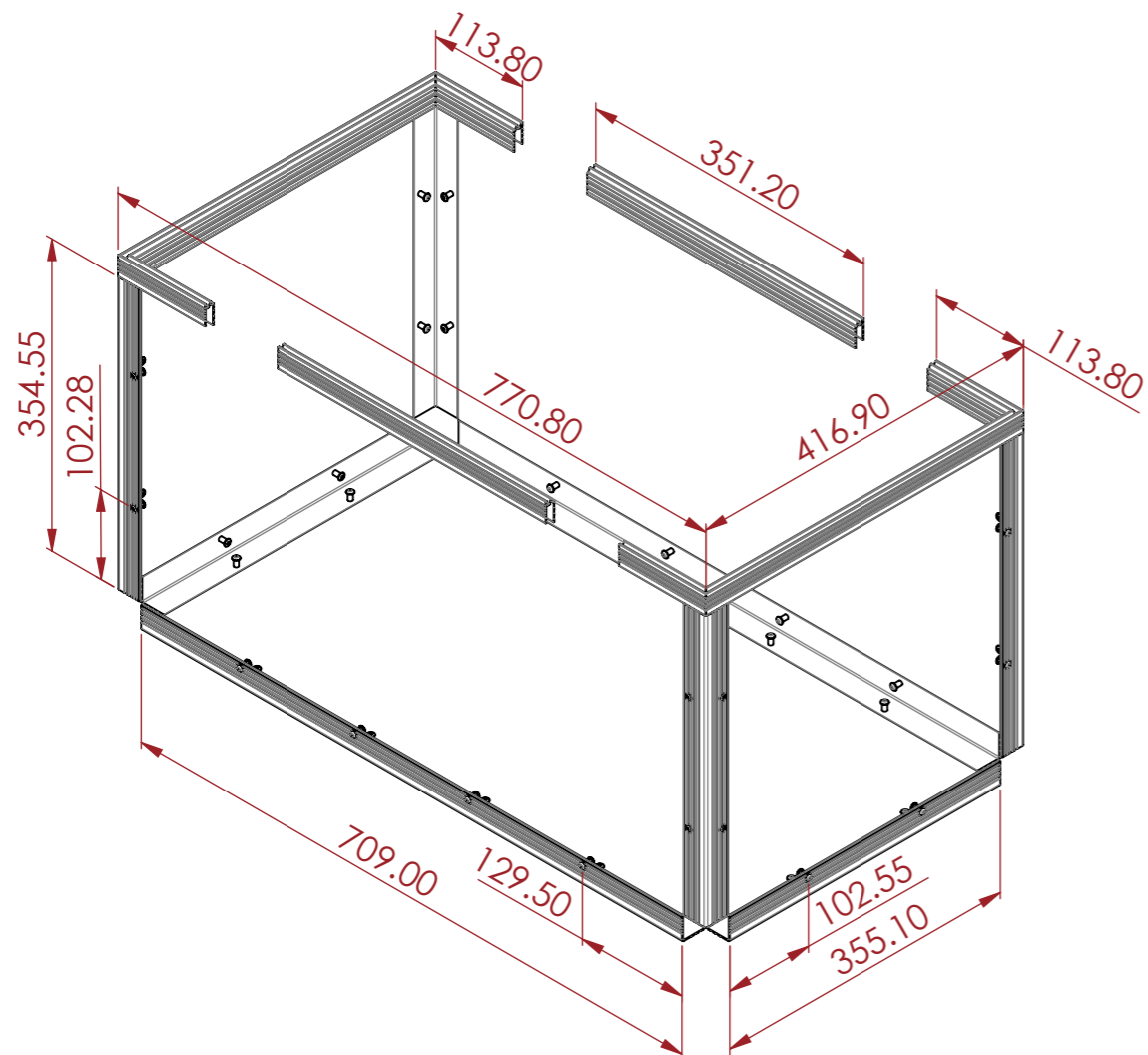
AS

SCALE:

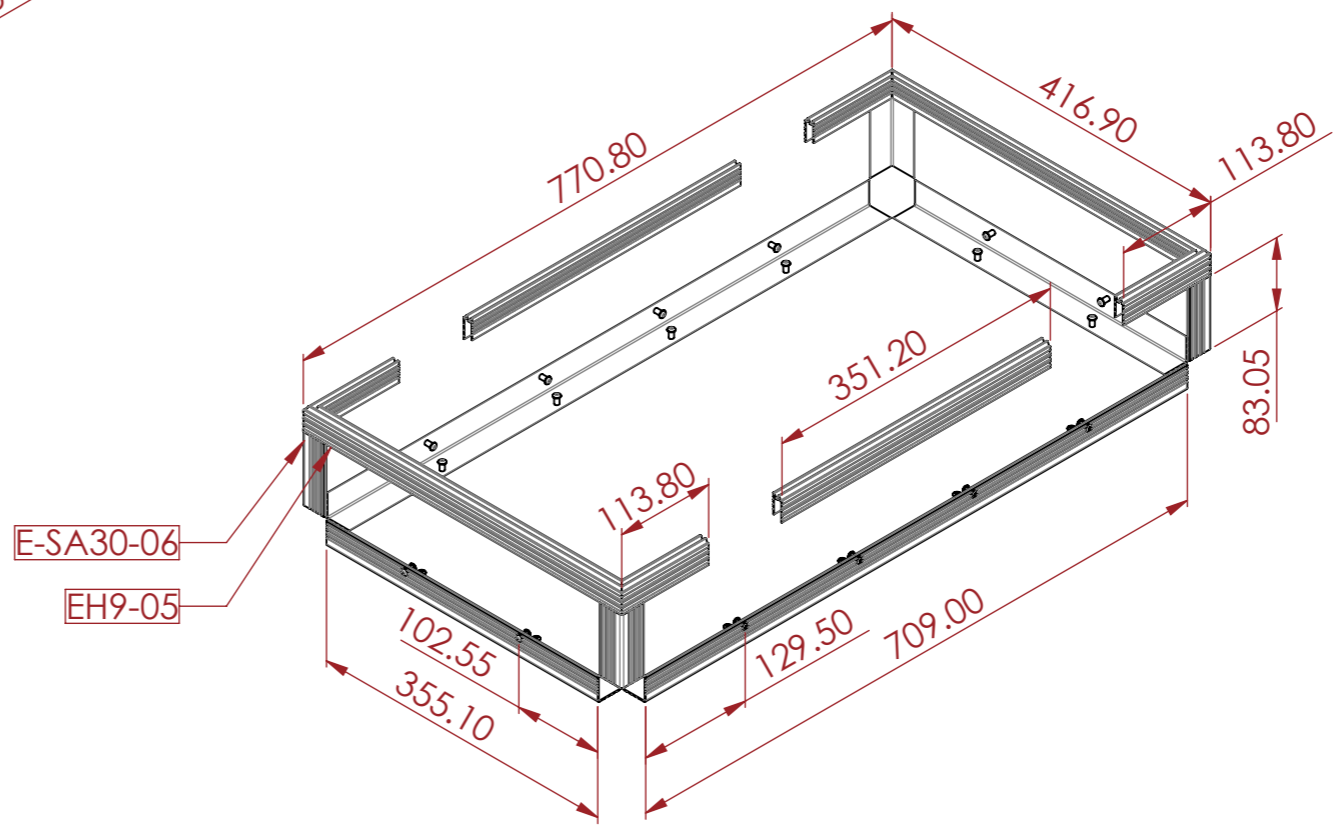
NTS



ADD : 45/7-9 Percy St, Auburn,
NSW 2144, Australia
PH : 02 9188 6801
MAIL : sales@armorcases.com.au
WEB : www.armorcases.com.au



LID EXTRUSION LAYOUT



BASE EXTRUSION LAYOUT

NOTES:

REV	DESCRIPTION	DATE
0	ORIGINAL ISSUE	10/31/2022

ESTIMATED WEIGHT (CASE ONLY):

27.87 KG

QUANTITY:

1

ITEM CODE:

SPK-YMH-DHR10

DRAWN BY:

HA

CHECKED BY:

AS

SCALE:

NTS



ADD : 45/7-9 Percy St, Auburn,
NSW 2144, Australia
PH : 02 9188 6801
MAIL : sales@armorcases.com.au
WEB : www.armorcases.com.au

ITEM NO.	ERP FILE NAME	QTY.
13	HDL-PN-H7151Z	8
14	RVT-0520	252
15	LAT-PN-L944/527MOL3	4
16	BRC-B4501M	8
17	CNR-C3102M-2MM	8
21	DISH-6503	4
38	LAT-PN-L944/527MOL3	4
39	BDG-ARMOR	2
40	CSTR-PN-W9000-V6	2
41	WSHR-M8-RING	16
42	BLT-HEX-M8X35	14
43	NUT-T-M8	18
44	BLT-HEX-M8X20	4
45	CSTR-PN-W9008-V6	2

NOTES:

REV	DESCRIPTION	DATE
0	ORIGINAL ISSUE	10/31/2022

ESTIMATED WEIGHT (CASE ONLY):
27.87 KG

QUANTITY:
1

ITEM CODE:
SPK-YMH-DHR10

DRAWN BY: **HA** CHECKED BY: **AS**

SCALE:
NTS



ADD : 45/7-9 Percy St, Auburn,
NSW 2144, Australia
PH : 02 9188 6801
MAIL : sales@armorcases.com.au
WEB : www.armorcases.com.au