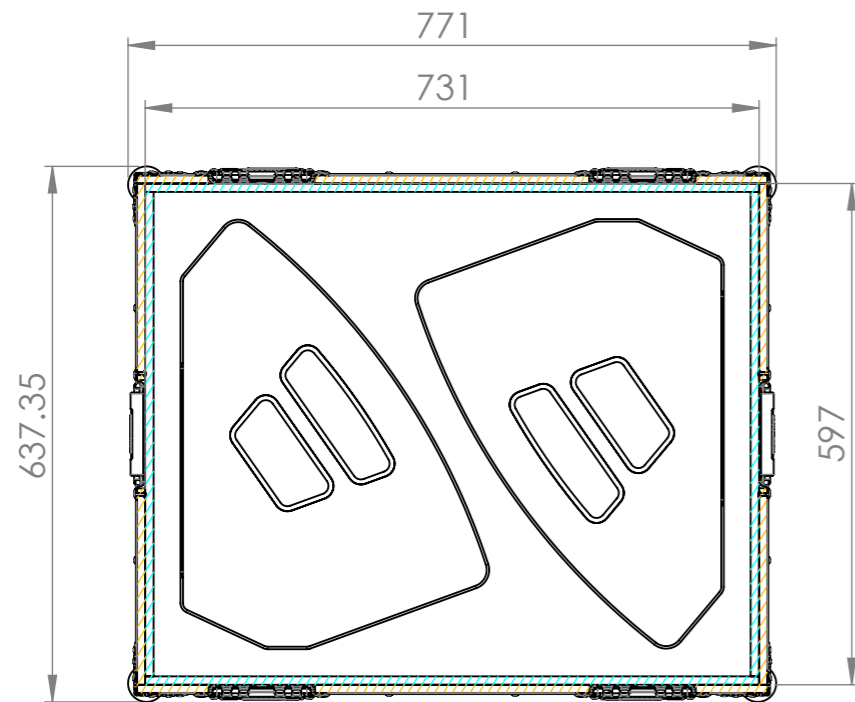
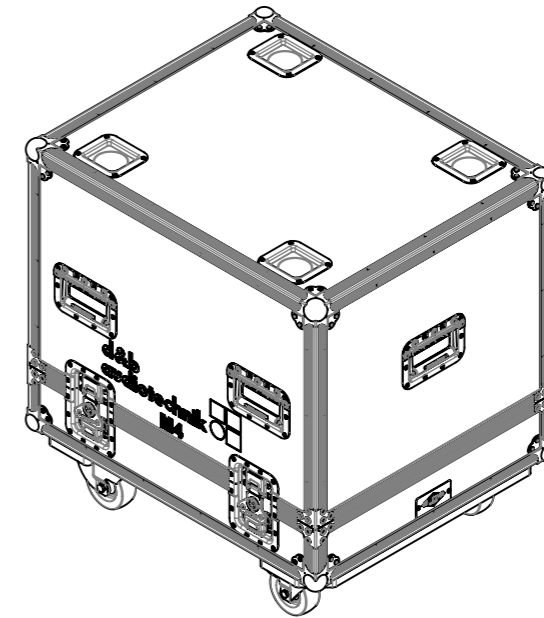
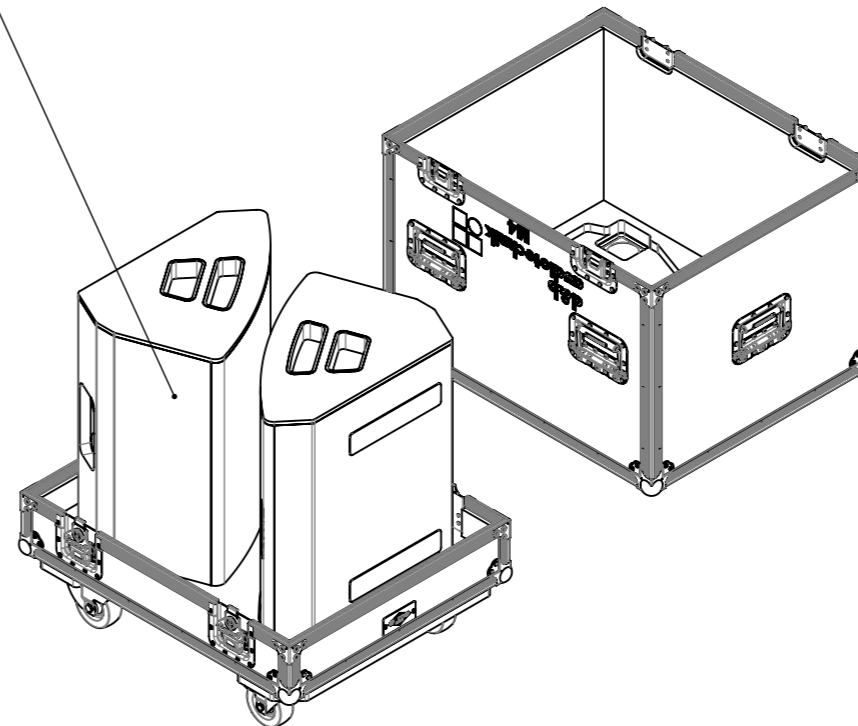


SECTION A-A



SECTION B-B

D&B AUDIOTECHNIK - M4 Monitor



NOTES:

REV	DESCRIPTION	DATE
0	ORIGINAL ISSUE	10/31/2022

ESTIMATED WEIGHT:
33.82 KG (CASE ONLY)

QUANTITY:
1

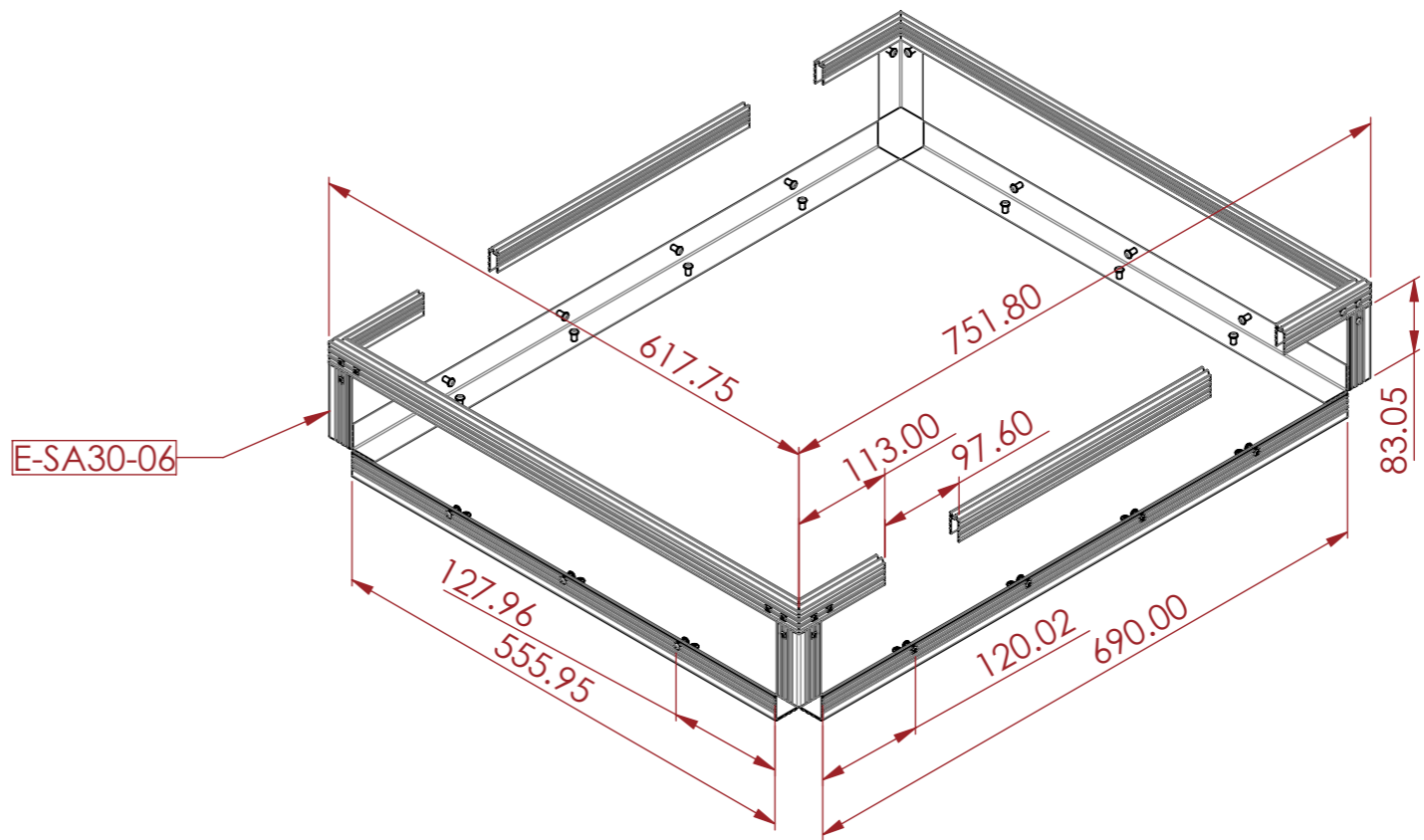
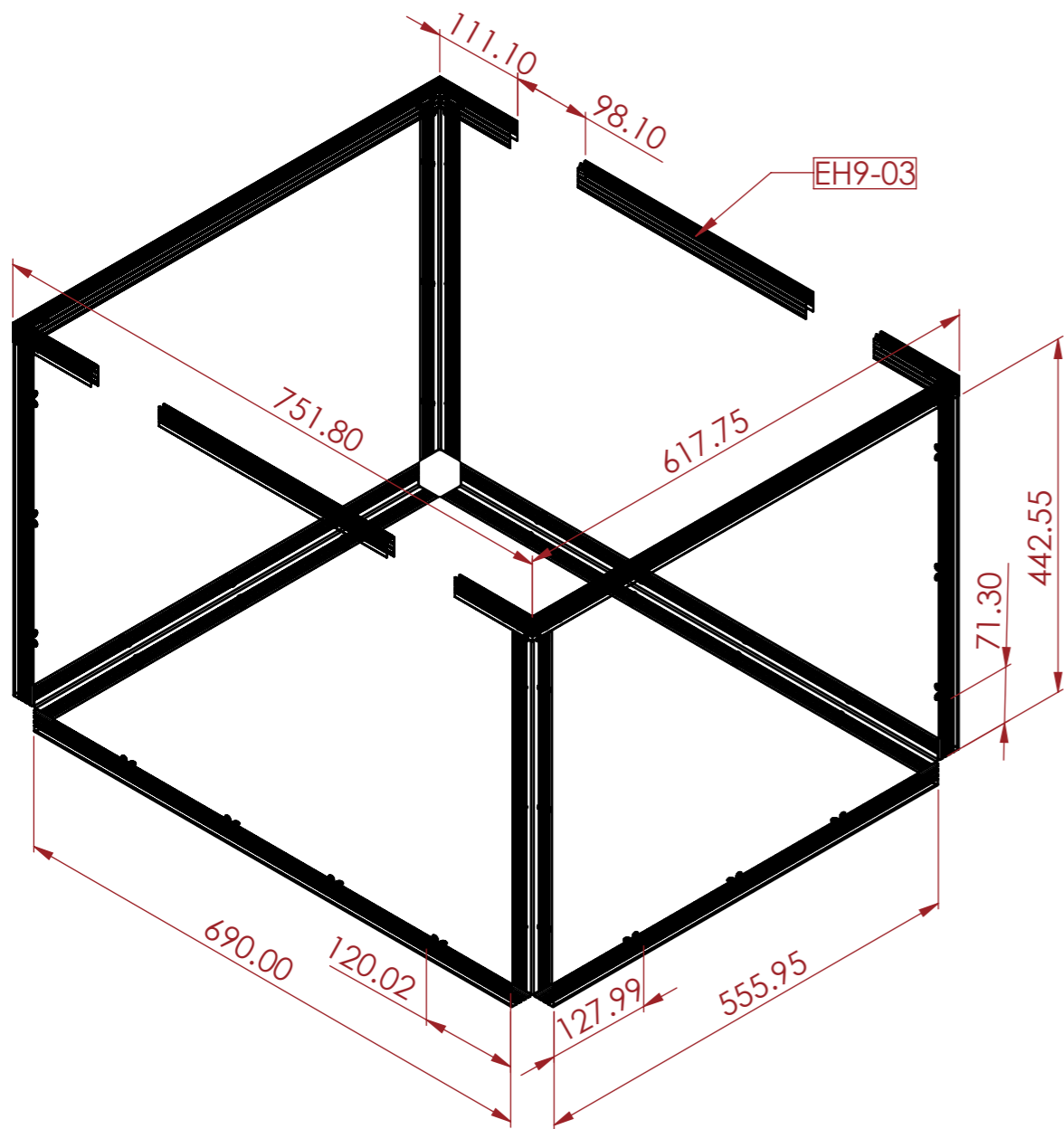
ITEM CODE:
SPK-DB-M4-ST

DRAWN BY: HA CHECKED BY: AS

SCALE:
NTS



ADD : 2/42 Dunn Road
Smeaton Grange, NSW 2567
PH : (02) 4646 1199
MAIL : sales@armorcases.com.au
WEB : sales@showtools.com.au



NOTES:

REV	DESCRIPTION	DATE
0	ORIGINAL ISSUE	10/31/2022

ESTIMATED WEIGHT:
33.82 KG (CASE ONLY)

QUANTITY:
1

ITEM CODE:
SPK-DB-M4-ST

DRAWN BY: HA CHECKED BY: AS

SCALE:
NTS



ADD : 2/42 Dunn Road
Smeaton Grange, NSW 2567
PH : (02) 4646 1199
MAIL : sales@armorcases.com.au
WEB : sales@showtools.com.au

ITEM NO.	PART NAME	ERP FILE NAME	QTY.
18	C3102	CNR-C3102M-2MM	8
19	RIVET	RVT-0520	232
20	L944.527.10MOL3_BOTTOM	LAT-PN-L944/527MOL3	4
21	BDG-SHOW CASE	BDG-SHOW CASE	2
22	B4501	BRC-B4501M	8
23	Penn Elcom-w9000-v6	CSTR-PN-W9000-V6	2
24	T_NUT- M8	NUT-T-M8	18
25	HEX BOLT	BLT-HEX-M8X35-SS	12
26	WASHER	WSHR-M8-RING	16
27	HEX BOLT	BLT-HEX-M8X20-SS	4
28	Penn Elcom-w9008-v6	CSTR-PN-W9008-V6	2
29	HEX BOLT	BLT-HEX-M8X30-SS	2
43	H7151_PENN	HDL-PN-H7151Z	6
44	L944.527.10MOL3_TOP	LAT-PN-L944/527MOL3	4
49	YR-6503	DISH-6503	4

NOTES:

REV	DESCRIPTION	DATE
0	ORIGINAL ISSUE	10/31/2022

ESTIMATED WEIGHT:
33.82 KG (CASE ONLY)

QUANTITY:
1

ITEM CODE:
SPK-DB-M4-ST

DRAWN BY: HA CHECKED BY: AS

SCALE:
NTS



ADD : 2/42 Dunn Road
Smeaton Grange, NSW 2567
PH : (02) 4646 1199
MAIL : sales@armorcases.com.au
WEB : sales@showtools.com.au