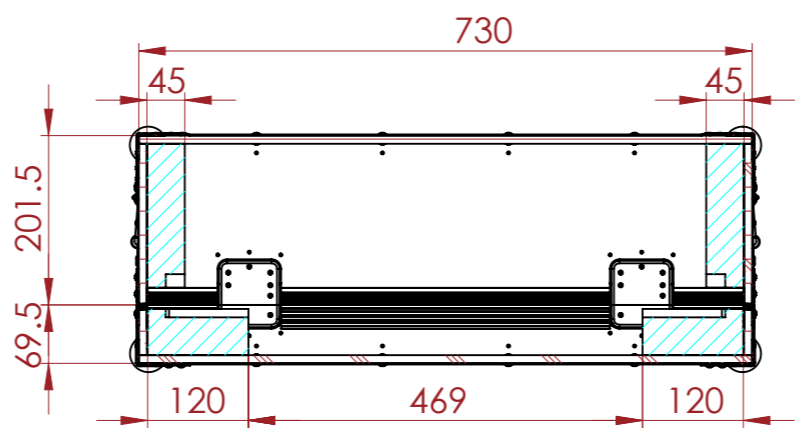
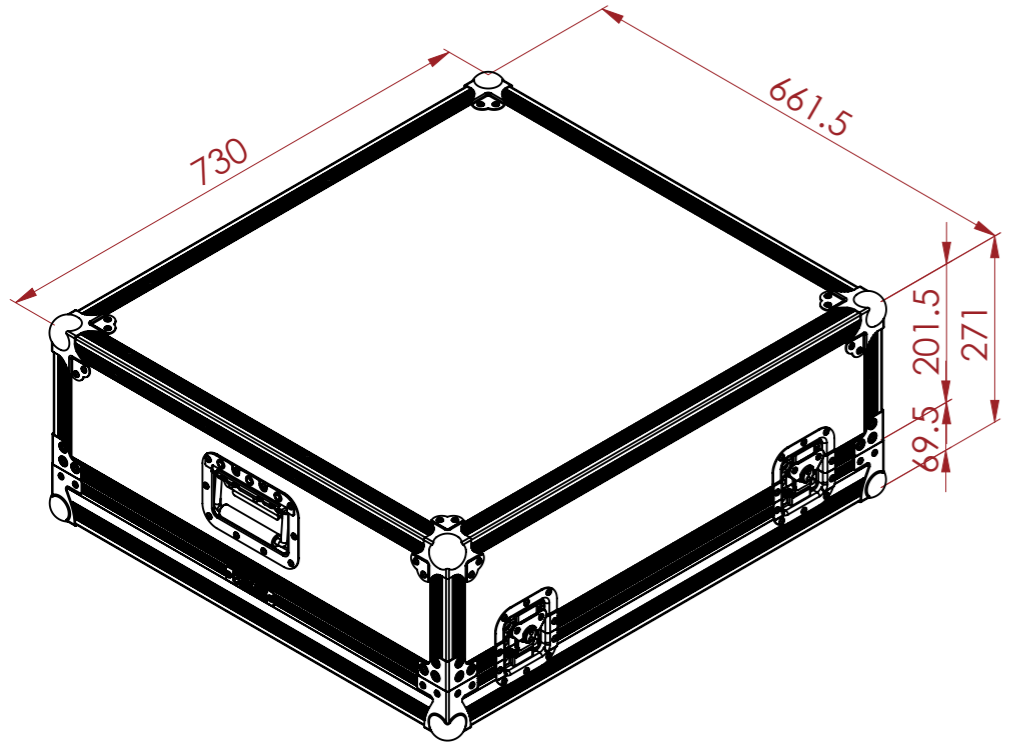


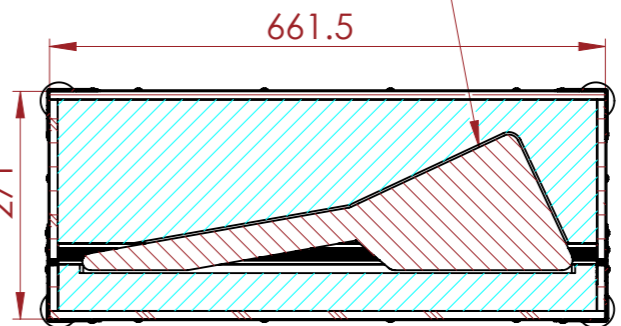
 EVA FOAM

SECTION C-C



SECTION B-B

Presonus StudioLive 32SX



SECTION A-A

NOTES:

REV	DESCRIPTION	DATE
0	ORIGINAL ISSUE	17/11/2022

ESTIMATED WEIGHT:
16.1kg

QUANTITY:
1

ITEM CODE:
MIXR-PRES-SL-32SX

DRAWN BY: RP CHECKED BY: AS

SCALE:
NTS



ADD : 45/7-9 Percy St, Auburn,
NSW 2144, Australia
PH : 02 9188 6801
MAIL : sales@armorcases.com.au
WEB : www.armorcases.com.au

ITEM NO.	PART NAME	QTY.
1	B4501	4
2	BASE PANEL 1	1
3	BASE PANEL 2	1
4	BASE PANEL 3	1
5	BASE PANEL 4	1
6	BASE PANEL 5	1
7	BDG-ARMOR	2
8	C3102	4
9	C3151	4
10	E-SA30-1.5mm 1	4
11	E-SA30-1.5mm 2	2
12	E-SA30-1.5mm 3	2
13	E-SA30-1.5mm 4	2
14	E-SA30-1.5mm 5	2
15	EH9 1	1
16	EH9 2	1
17	EH9 3	1
18	EH9 4	1
19	EH9 5	1
20	EH9 6	1
21	EH9 7	1
22	EH9 8	1
23	EVA 38 50MM BASE LEFT	1
24	EVA 38 50MM BASE RIGHT	1
25	EVA 38 50MM LID 1	1
26	EVA 38 50MM LID 2	1
27	H1101	2
28	L2208_BOTTOM	4
29	L2208_TOP	4
30	LID PANEL 1	1
31	LID PANEL 2	1
32	LID PANEL 3	1
33	LID PANEL 4	1
34	LID PANEL 5	1
35	RIVET	136

NOTES:

REV	DESCRIPTION	DATE
0	ORIGINAL ISSUE	17/11/2022

ESTIMATED WEIGHT:
16.1kg

QUANTITY:
1

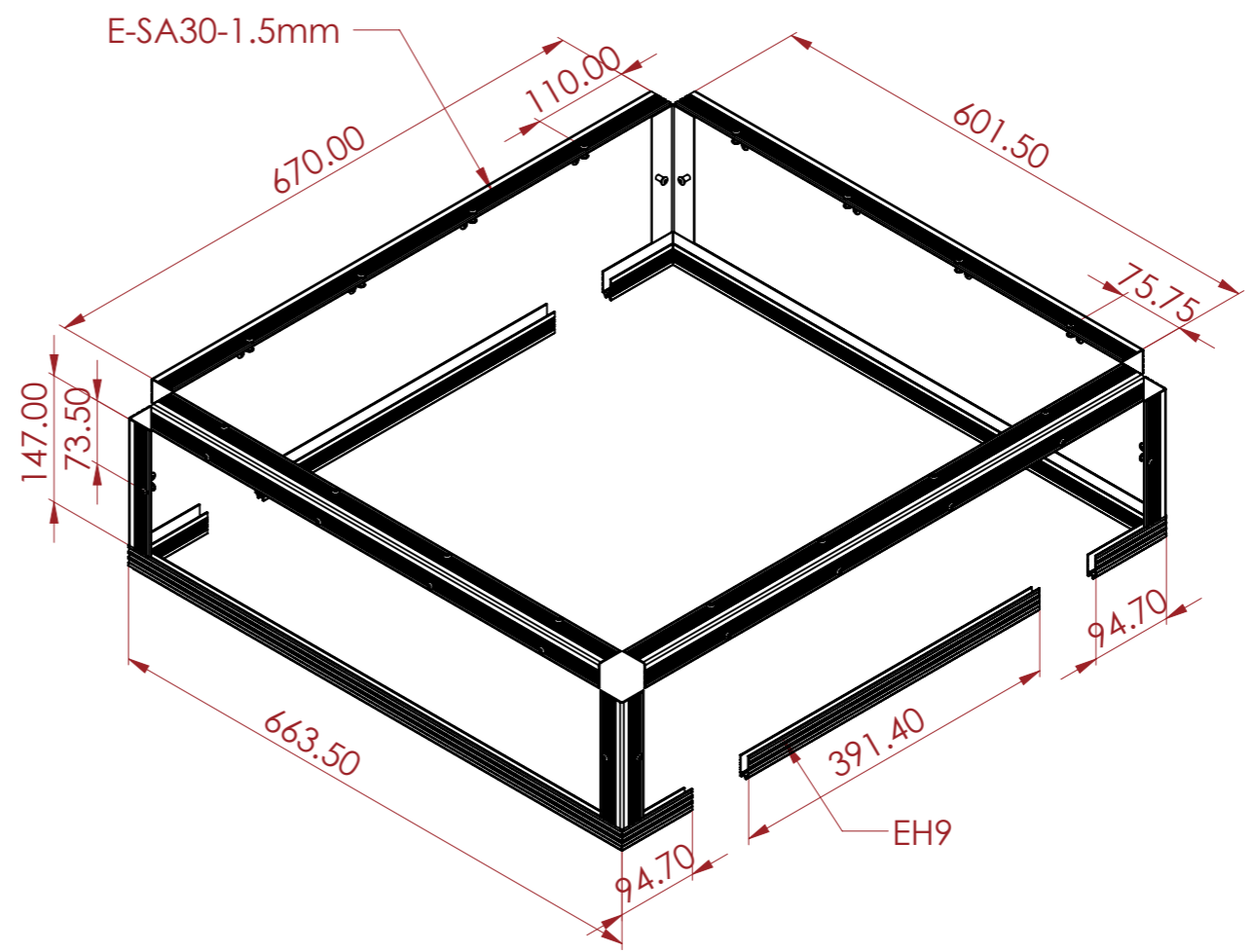
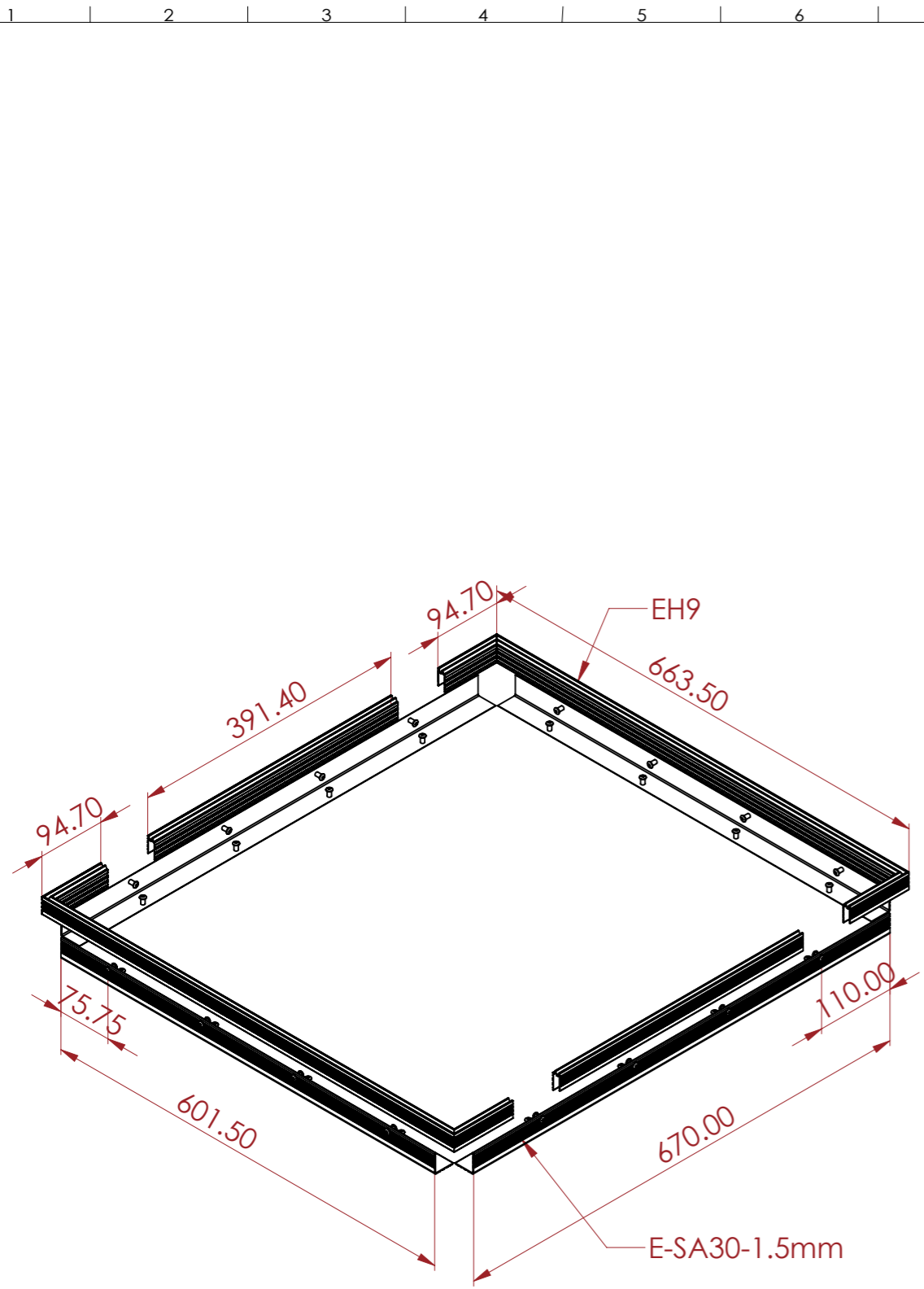
ITEM CODE:
MIXR-PRES-SL-32SX BOM

DRAWN BY: RP CHECKED BY: AS

SCALE:
NTS



ADD : 45/7-9 Percy St, Auburn,
NSW 2144, Australia
PH : 02 9188 6801
MAIL : sales@armorcases.com.au
WEB : www.armorcases.com.au



NOTES:

REV	DESCRIPTION	DATE
0	ORIGINAL ISSUE	17/11/2022

ESTIMATED WEIGHT:
16.1kg

QUANTITY:
1

ITEM CODE:
MIXR-PRES-SL-32SX Extrusions

DRAWN BY: RP CHECKED BY: AS

SCALE:
NTS



ADD : 45/7-9 Percy St, Auburn,
NSW 2144, Australia
PH : 02 9188 6801
MAIL : sales@armorcases.com.au
WEB : www.armorcases.com.au