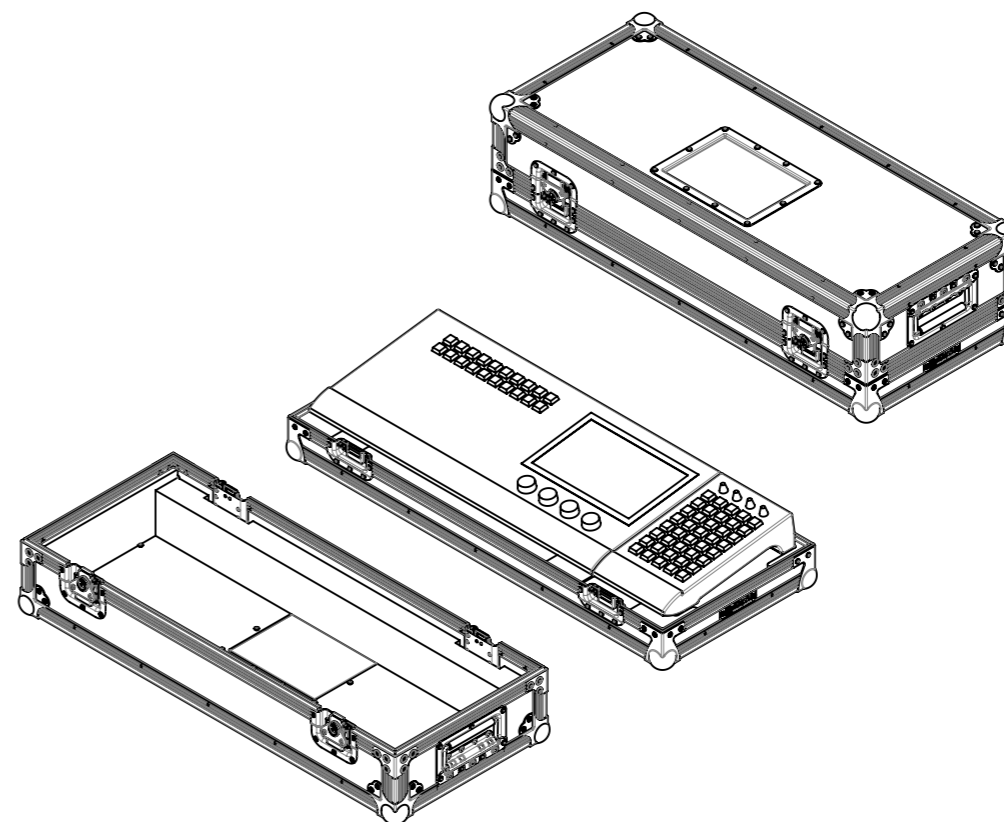


SECTION B-B



NOTES:

CUSTOMER:

Alan Song

QUANTITY:

1

DRAWING:

ONYX-NX1K

DRAWN BY:

HA

CHECKED BY:

AS

SCALE:

1:10

REVISION:

0



ADD : 45/7-9 Percy St, Auburn,
NSW 2144, Australia
PH : 02 9188 6801
MAIL : sales@armorcases.com.au
WEB : www.armorcases.com.au