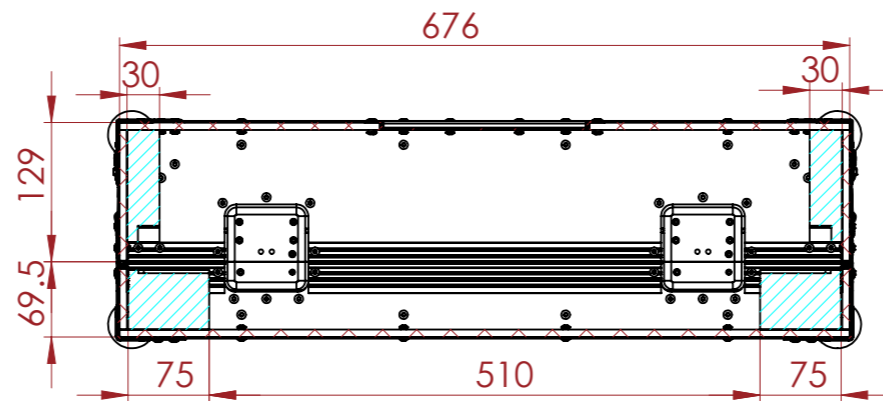
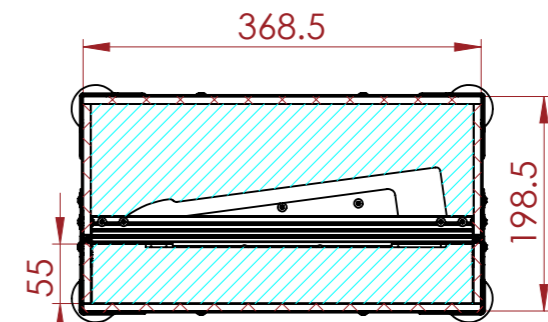
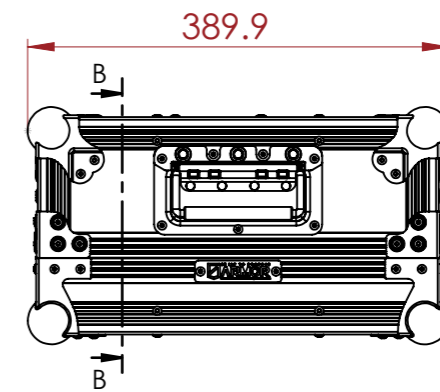


SECTION C-C



SECTION B-B



SECTION A-A

NOTES:

REV	DESCRIPTION	DATE
0	ORIGINAL ISSUE	12/12/2022

ESTIMATED WEIGHT:  
5.7kg

QUANTITY:  
1

ITEM CODE:  
LXCTRL-OBS-NX1

DRAWN BY: RP      CHECKED BY: AS

SCALE:  
NTS



ADD : 45/7-9 Percy St, Auburn,  
NSW 2144, Australia  
PH : 02 9188 6801  
MAIL : sales@armorcases.com.au  
WEB : www.armorcases.com.au