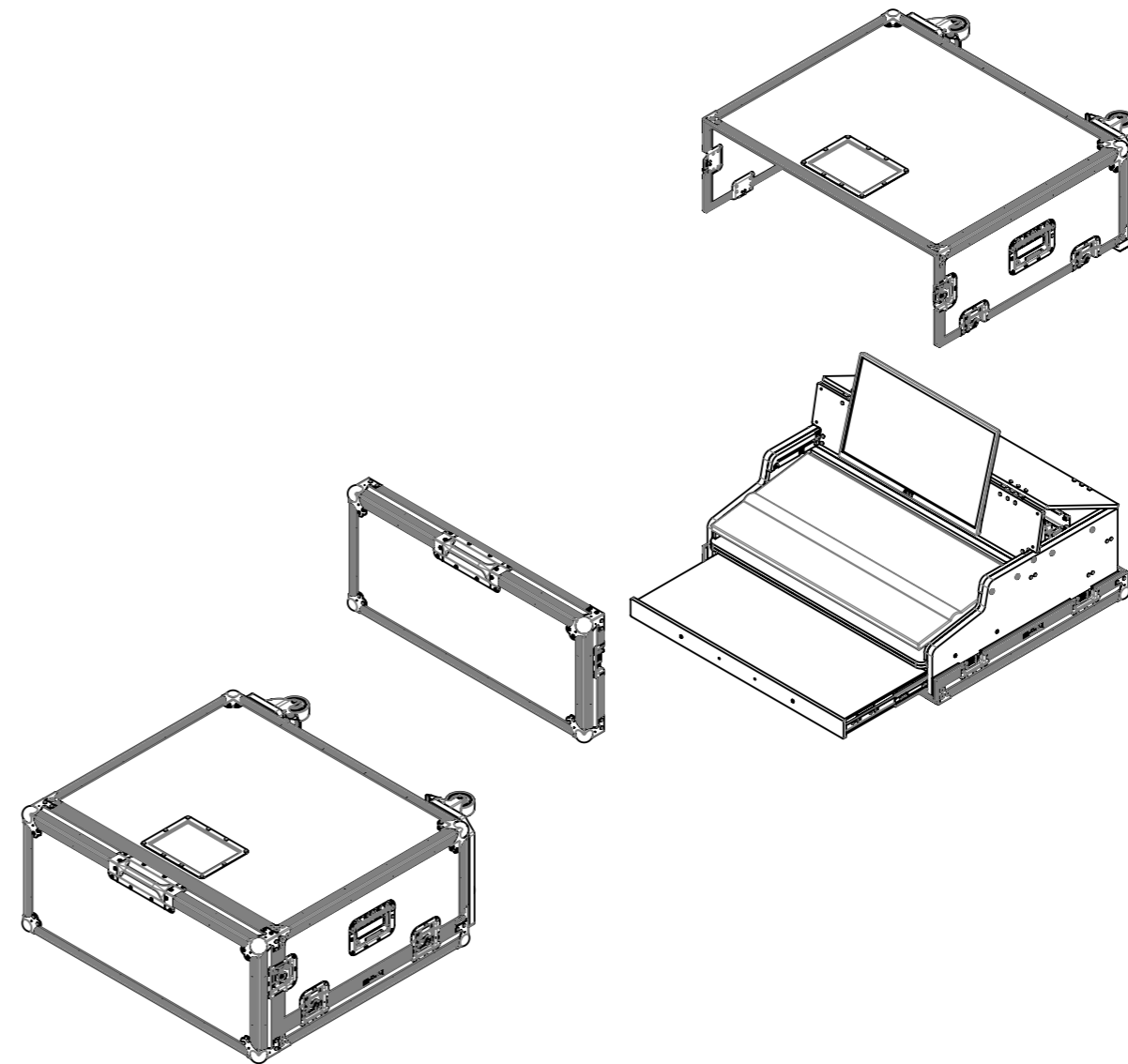


SECTION E-E



NOTES:

REV	DESCRIPTION	DATE
0	ORIGINAL ISSUE	10/31/2022

ESTIMATED WEIGHT:  
47.91 KG

QUANTITY:  
1

ITEM CODE:  
LXCTRL-ETC-IONXE20

DRAWN BY: K.I.      CHECKED BY: AS

SCALE:  
NTS



ADD : 45/7-9 Percy St, Auburn,  
NSW 2144, Australia  
PH : 02 9188 6801  
MAIL : sales@armorcases.com.au  
WEB : www.armorcases.com.au