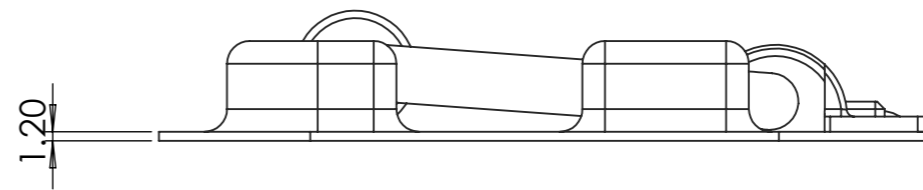
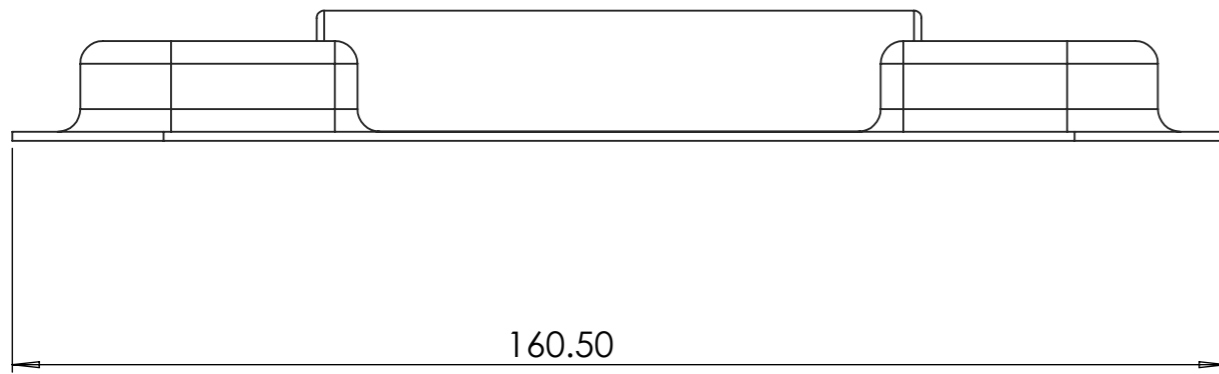
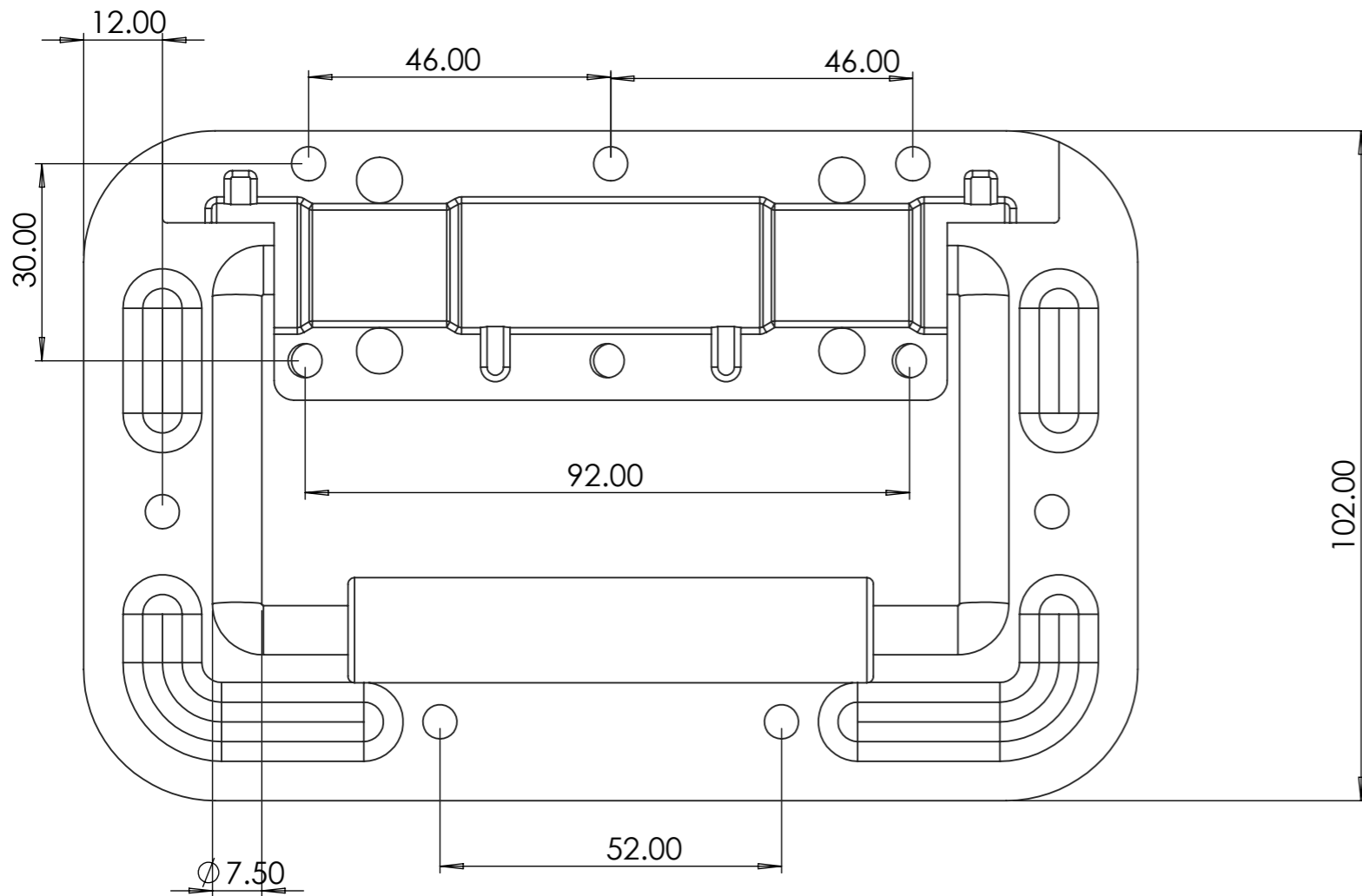


1 2 3 4 5 6 7 8 9 10 11 12 13 14 15 16

NOTES:
Your Notes Here



CUSTOMER:

DUE DATE:

QUANTITY:

PANEL FINISH:

HARDWARE:

DRAWING:
H1103 Handle Dimesnsions

DRAWN BY: MA CHECKED BY: AS

SCALE: 1:1 REVISION: 0



ADD : 45/7-9 Percy St, Auburn,
NSW 2144, Australia
PH : 02 9188 6801
MAIL : sales@armorcases.com.au
WEB : www.armorcases.com.au

1 2 3 4 5 6 7 8 9 10 11 12 13 14 15 16