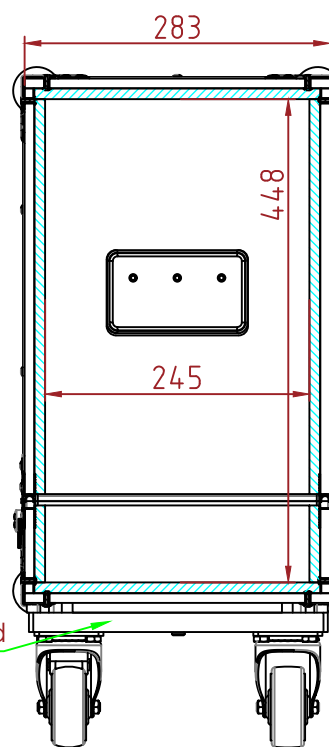
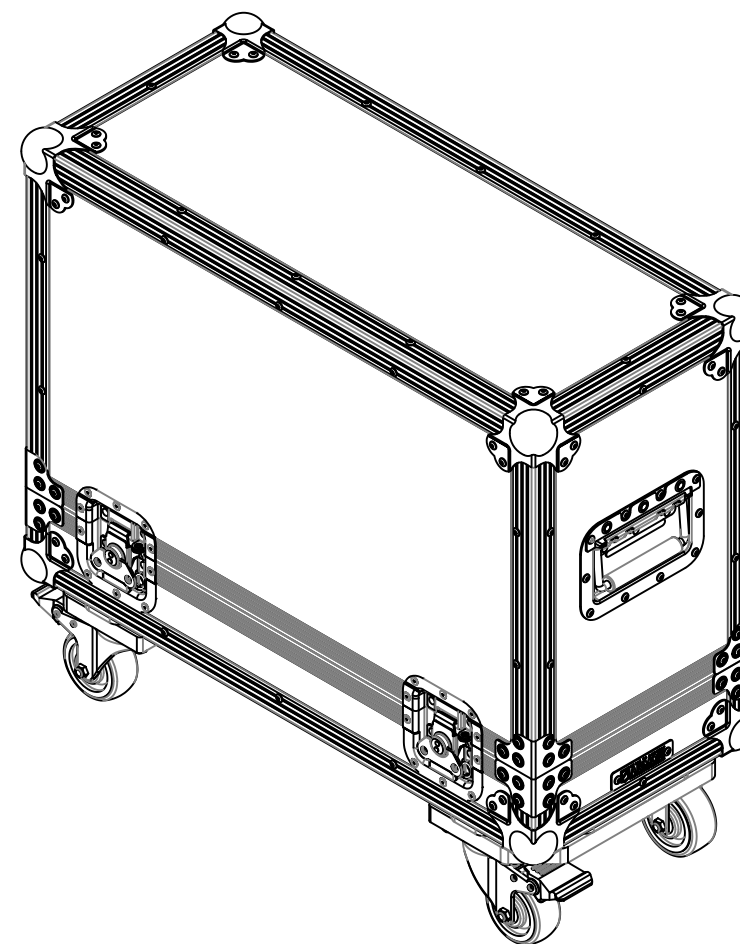


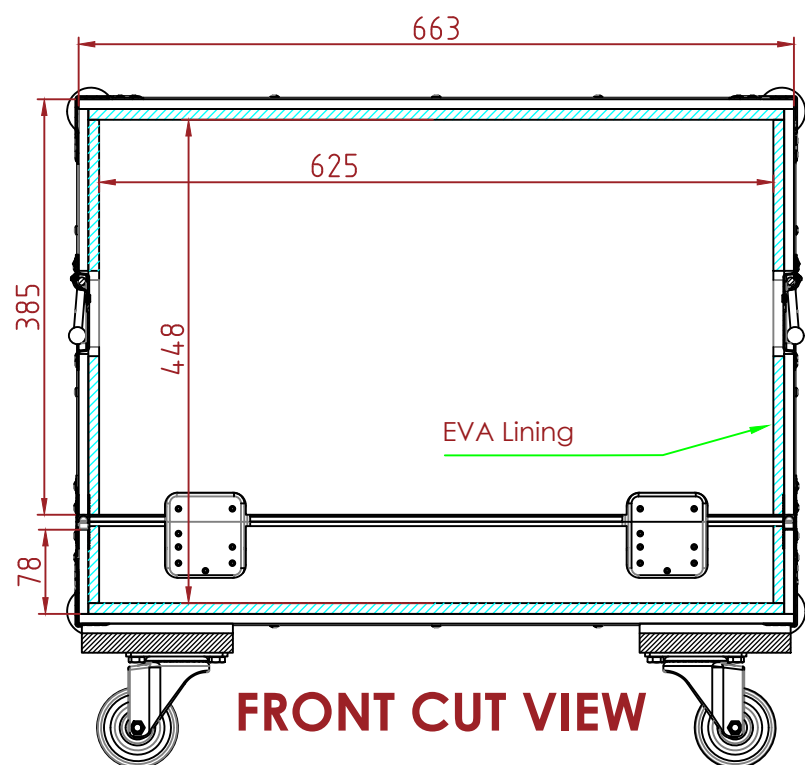
**FRONT VIEW**



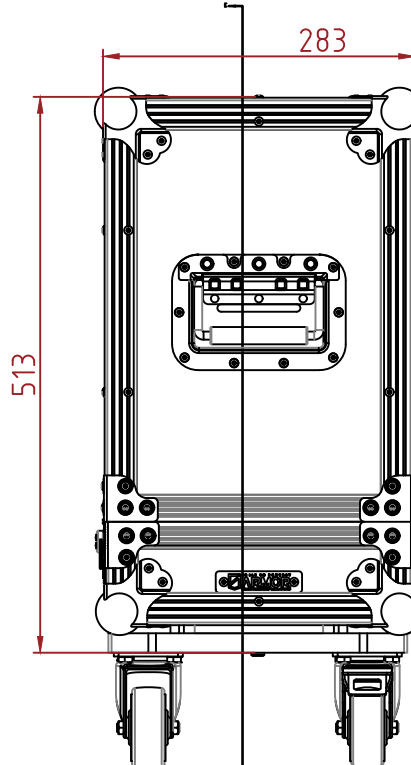
**SIDE VIEW**



**ISOMETRIC VIEW**



**FRONT CUT VIEW**



**SIDE CUT VIEW**

ITEM NO.	DESCRIPTION	PART NUMBER	QTY.
1	BRACES	B-4501	8
2	CORNERS	C-3102	8
3	CASTORS	Carjet 75x28mm	2
4	CASTORS	Carjet 75x28mm (Braked)	2
5	LATCHES	L-2208	4
6	SURFACE HANDLE	H-1101	2
7	PLYWOOD PANEL 9mm	P901A	-
8	ANGLE EXTRUSION	E-SA30	5.4m
9	EDGE EXTRUSION	E-T9/G9	1.25m

NOTES:  
P901A 9mm Panel

Hexa Black Glossy outside

10mm EVA Lining

Consult Cutout view dimensions while building

CUSTOMER:  
John Roberts

DUE DATE:

QUANTITY:

PANEL FINISH:  
P-901A

HARDWARE:  
ARMOR

DRAWING:  
Fender 65D R22W-2D

DRAWN BY:  
EM

CHECKED BY:  
AS

SCALE:  
1:1

REVISION:  
0



ADD : 45/7-9 Percy St, Auburn,  
NSW 2144, Australia  
PH : 02 9188 6801  
MAIL : sales@armorcases.com.au  
WEB : www.armorcases.com.au