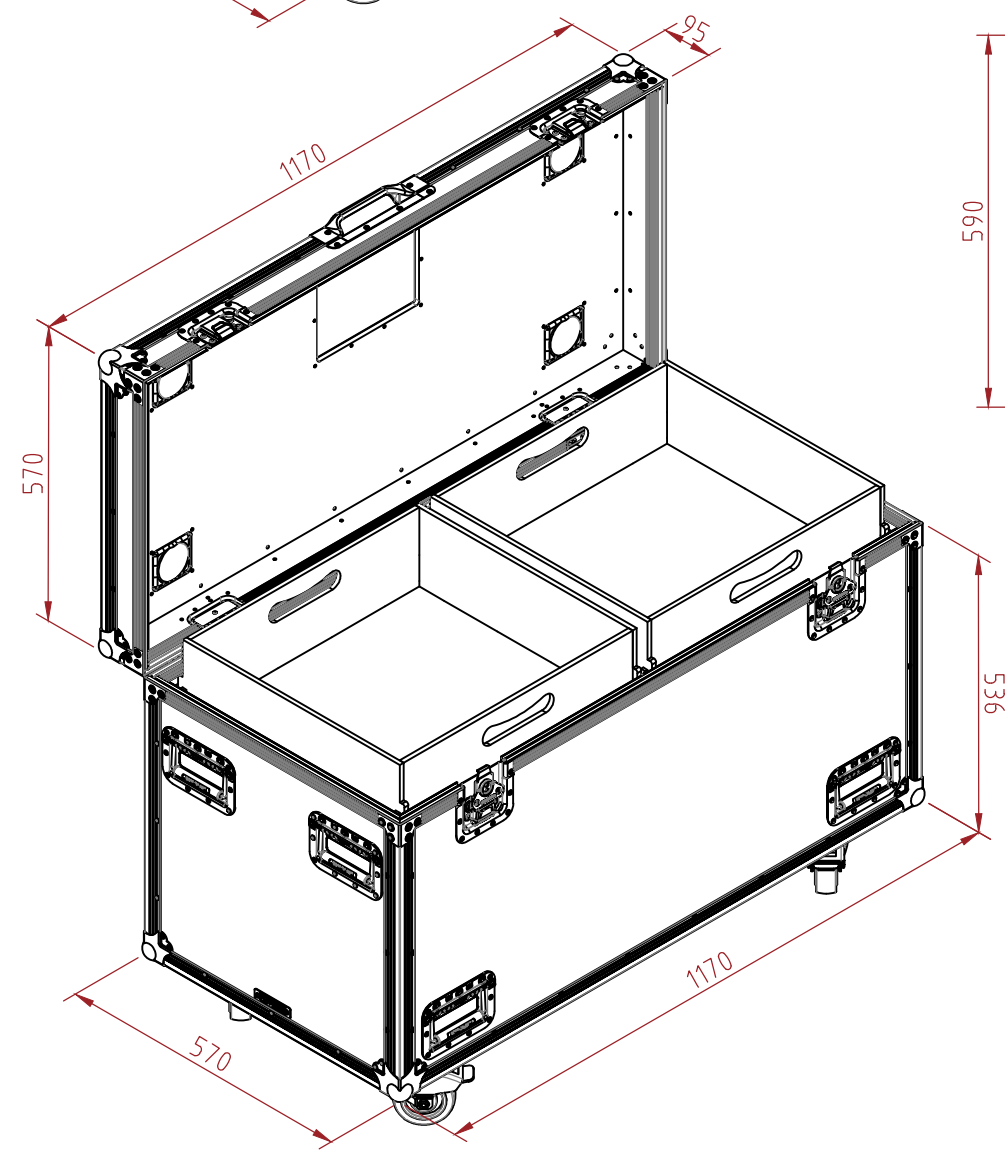


 EVA FOAM



ITEM NO.	DESCRIPTION	PART NUMBER	QTY.
1	BRACES	B4501	8
2	CORNERS	SY-B35	8
3	CASTORS	W0990-V6	2
4	CASTORS	W0985-V6	2
5	LATCHES	L944-527-10MOL3	4
6	SURFACE HANDLE	H7151	8
7	CORNER HANDLE	H2026	1
8	CASTOR CUPS	W0964	4
9	CASTOR BOARD	CB-EU-D	4
10	PLYWOOD PANEL 9mm	P904	15
11	PLYWOOD PANEL 12mm	P1201A	14
12	ANGLE EXTRUSION	E-SA35	16
13	EDGE EXTRUSION	EH12	8
14	LABEL DISH	D2116	1
15	PIANO HINGE	P-38	1
16	BUT HINGE	M0993	2
17	LID STAY	D0557-DW	2

NOTES:

CUSTOMER:

Nathan Tigani

DUE DATE:

QUANTITY:

2

PANEL FINISH:

1201A

HARDWARE:

MATT

DRAWING:

CP1200P-S Case

DRAWN BY:

RP

CHECKED BY:

AS

SCALE:

NTS

REVISION:

0



ADD : 45/7-9 Percy St, Auburn,
NSW 2144, Australia
PH : 02 9188 6801
MAIL : sales@armorcases.com.au
WEB : www.armorcases.com.au