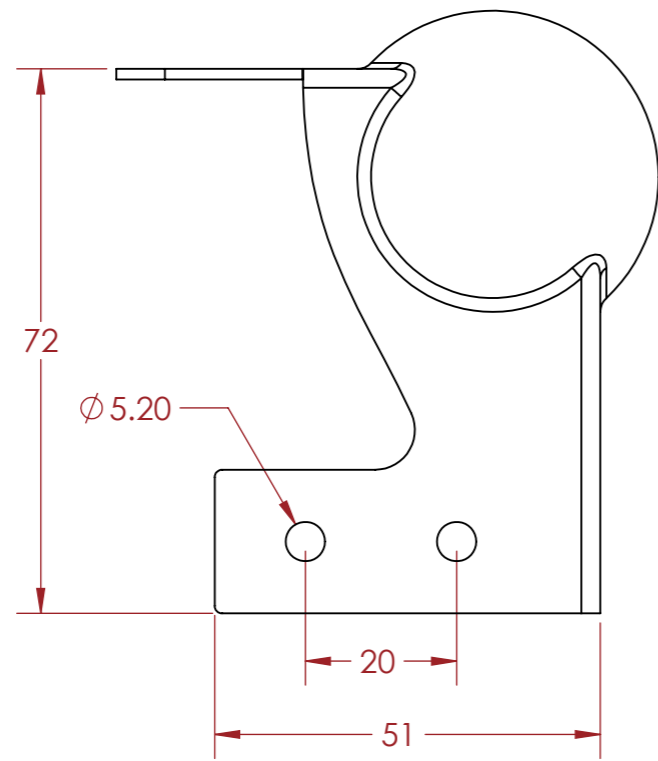
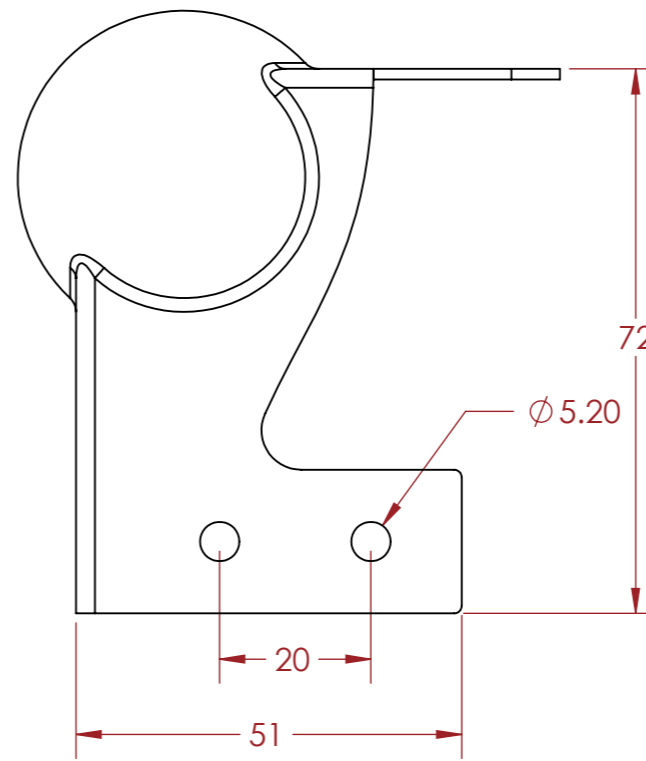


TOP VIEW



FRONT VIEW



SIDE VIEW

NOTES:

CUSTOMER:

DUE DATE:

QUANTITY:

PANEL FINISH:

HARDWARE:

DRAWING:
C3151C

DRAWN BY:
DS

CHECKED BY:
AS

SCALE:
1:1

REVISION:
0



ADD : 45/7-9 Percy St, Auburn,
NSW 2144, Australia
PH : 02 9188 6801
MAIL : sales@armorcases.com.au
WEB : www.armorcases.com.au