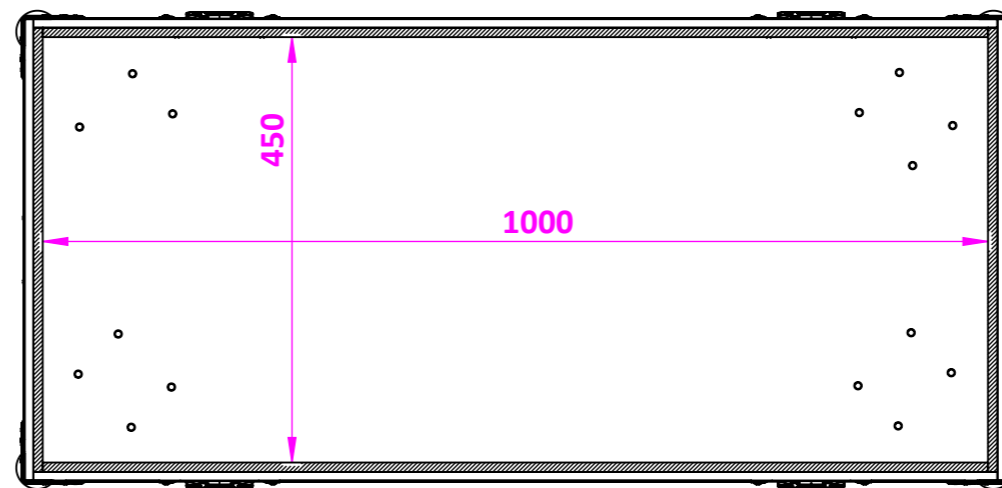
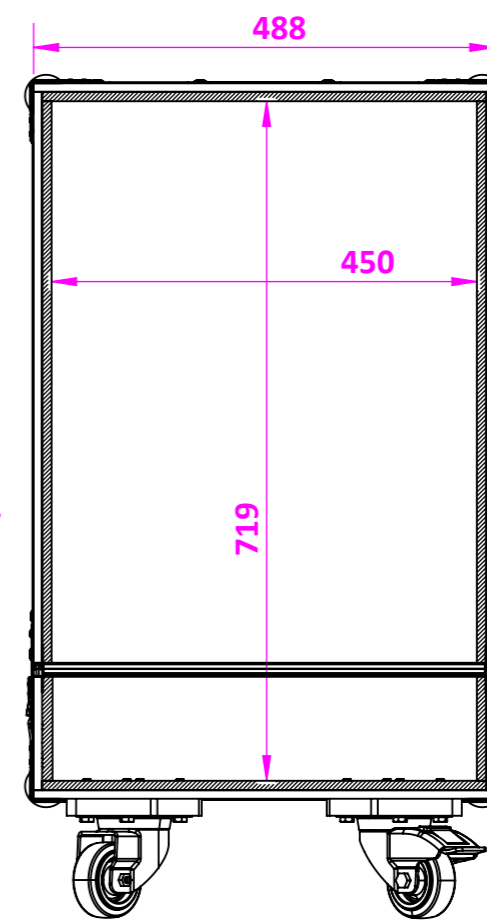


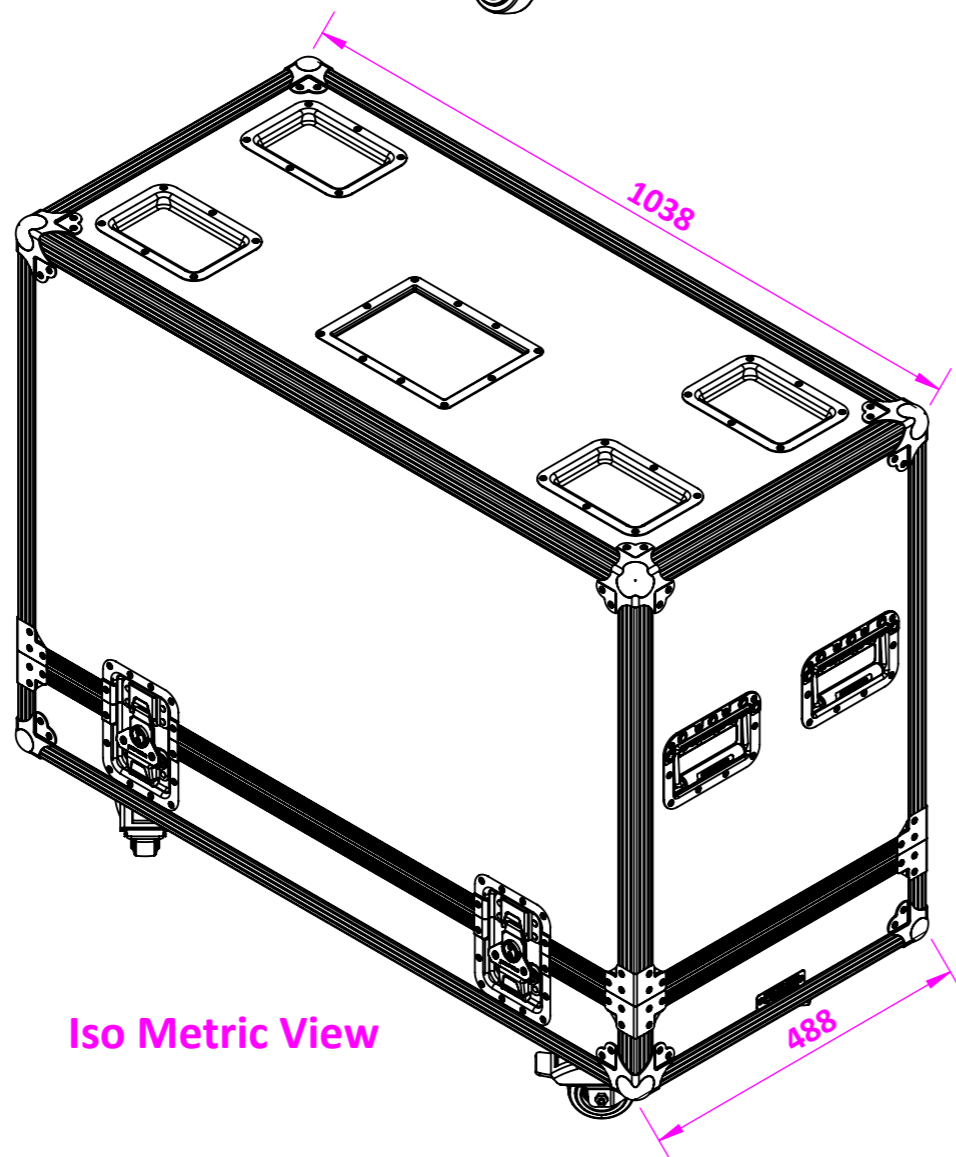
Front Cut View



Top Cut View



Side Cut View



Iso Metric View

NOTES:  
 10mm EVA Lining  
 9mm Panel  
 Max Internal  
 Dimmensions  
 1000W\*719H\*450D

CUSTOMER:  
 DUE DATE:  
 QUANTITY:  
 PANEL FINISH:  
 Hexa Glossy Outside  
 HARDWARE:  
 List Attached  
 DRAWING:  
 Master Speaker Case

DRAWN BY: EM CHECKED BY: AS

SCALE: 1:1 REVISION: 0

ITEM NO.	DESCRIPTION	PART NUMBER	QTY.
1	BRACES	B1123	8
2	CORNERS	C1992	8
3	CASTORS	W0990-80	2
4	CASTORS	W0985-80	2
5	LATCHES	L944-527-10MOL3	4
6	HANDLE	H1101M	4
7	DISH	D2101	4
8	DISH	D2116	1



ADD : 45/7-9 Percy St, Auburn,  
 NSW 2144, Australia  
 PH : 02 9188 6801  
 MAIL : sales@armorcases.com.au  
 WEB : www.armorcases.com.au