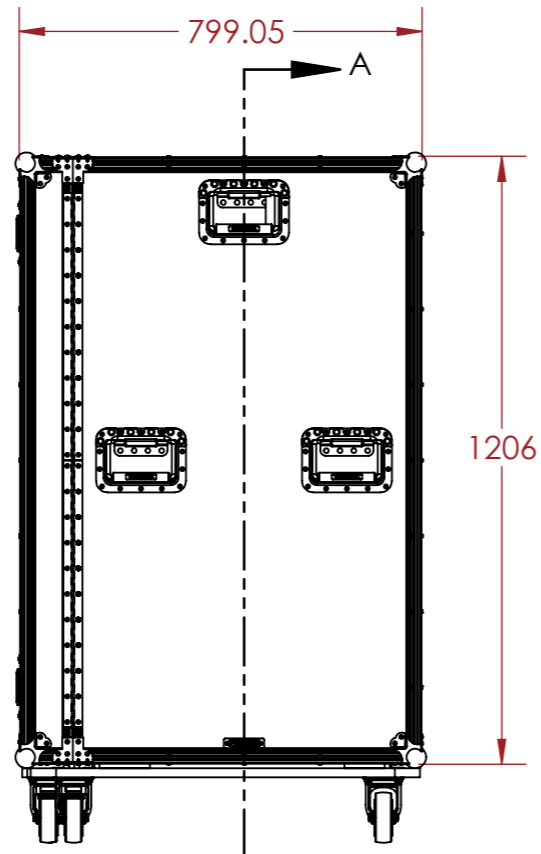
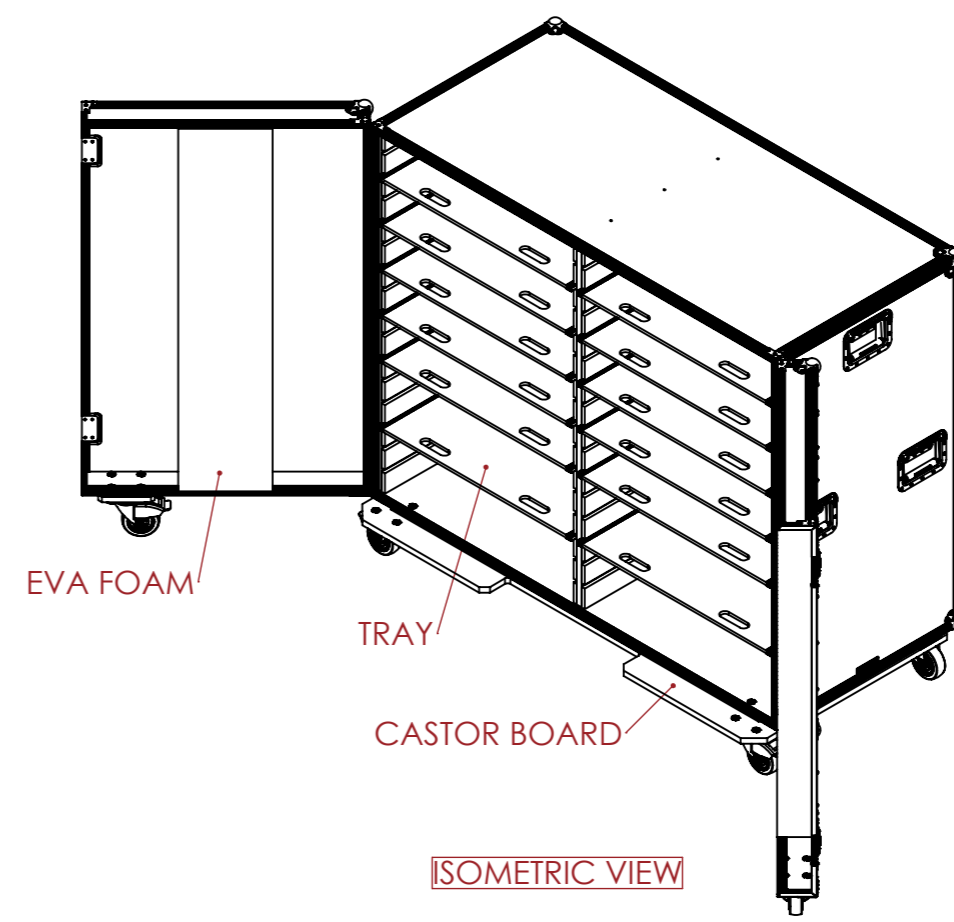


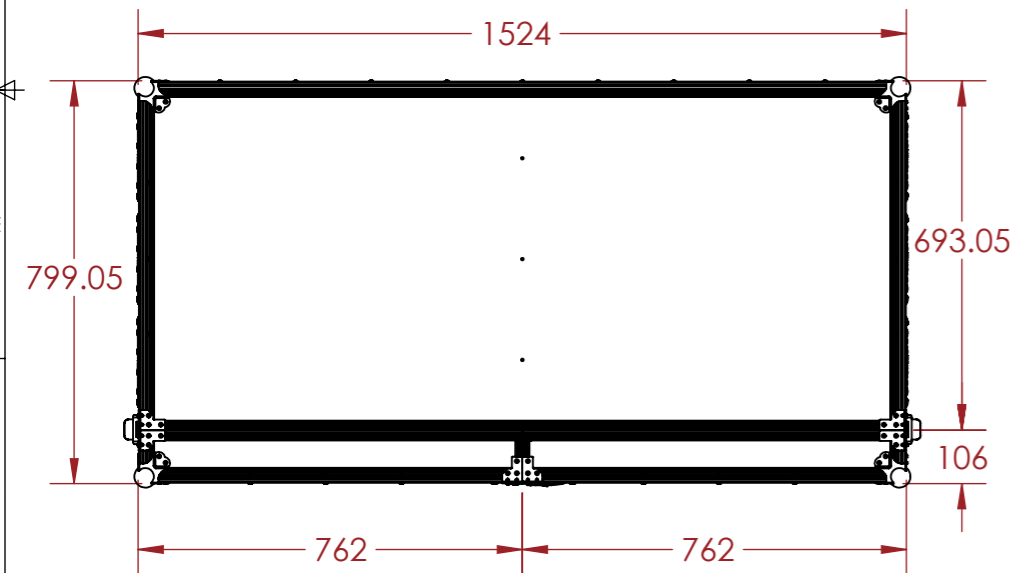
FRONT VIEW



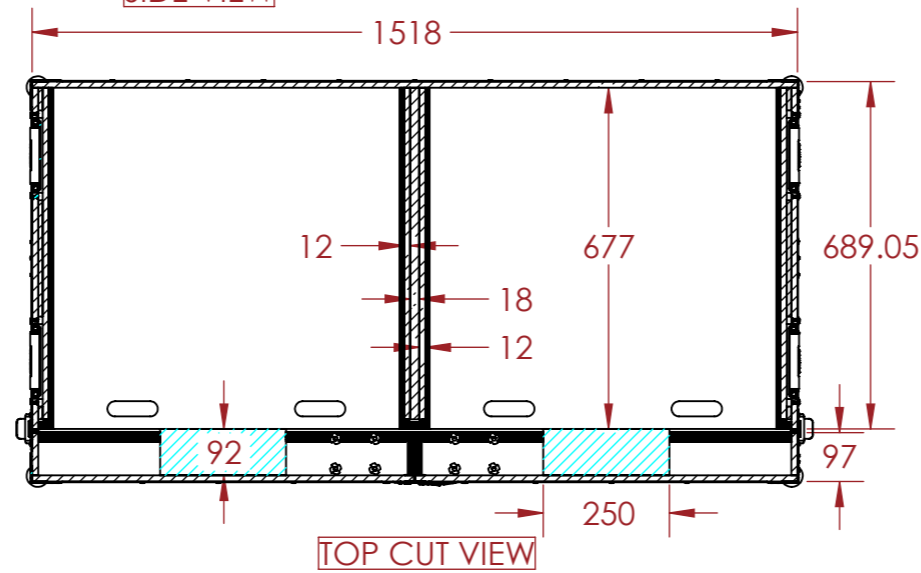
SIDE VIEW



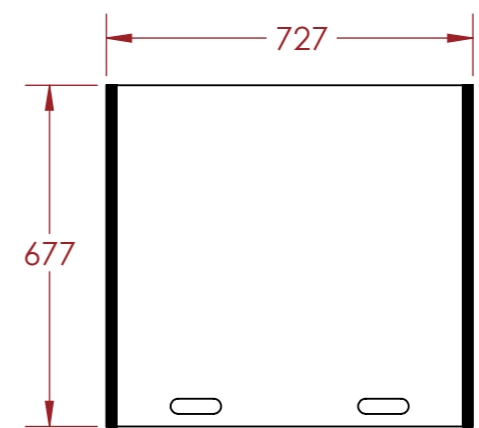
ISOMETRIC VIEW



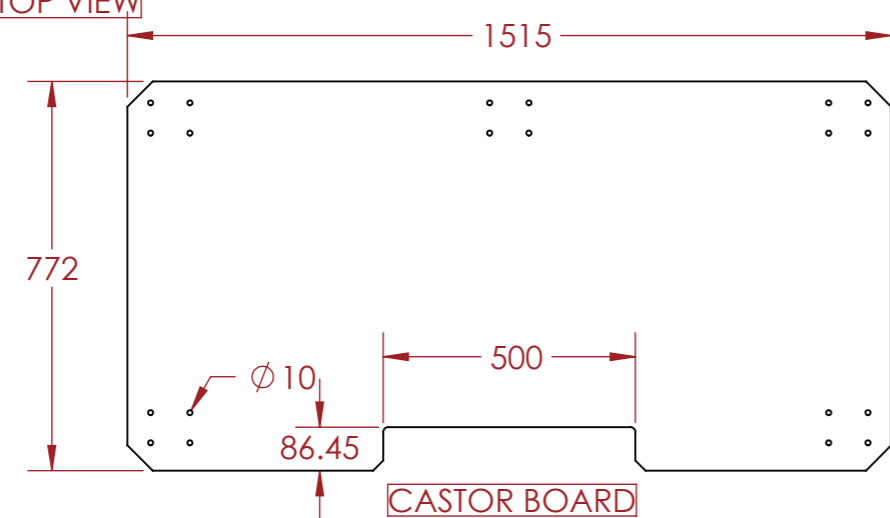
TOP VIEW



TOP CUT VIEW



TRAY



CASTOR BOARD

ITEM NO.	DESCRIPTION	PART NUMBER	QTY.
1	BRACES	B4204C	10
2	CORNERS	C3102C	8
3	CASTORS	CARJET S2 100mm	3
4	CASTORS	CARJET S2 100mm with BRAKE	4
5	LATCHES	L944-527-10MOL3	2
6	SURFACE HANDLE	H7165	6
7	HINGE	HNG-P38	2
8	PLYWOOD PANEL 12mm	P1201A	13
9	PLYWOOD PANEL 18mm	P1801	1
10	ANGLE EXTRUSION	E-SA30-1.5mm	18
11	EDGE EXTRUSION	EH12	10
12	U-CAP EXTRUSION	E-U12	6
13	PLYWOOD PANEL 9mm	P904	16

NOTES:
P904 panels used for TRAY panels.

CUSTOMER:	
DUE DATE:	
QUANTITY: 1	
PANEL FINISH: P1201A	
HARDWARE: MATT	
DRAWING: MC1220 Case	
DRAWN BY: DS	CHECKED BY: AS
SCALE: 1:15	REVISION: 0

ARMOR
BUILT TO PROTECT

ADD : 45/7-9 Percy St, Auburn,
NSW 2144, Australia
PH : 02 9188 6801
MAIL : sales@armorcases.com.au
WEB : www.armorcases.com.au