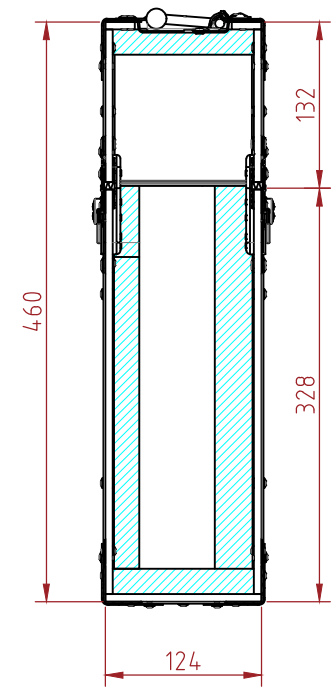
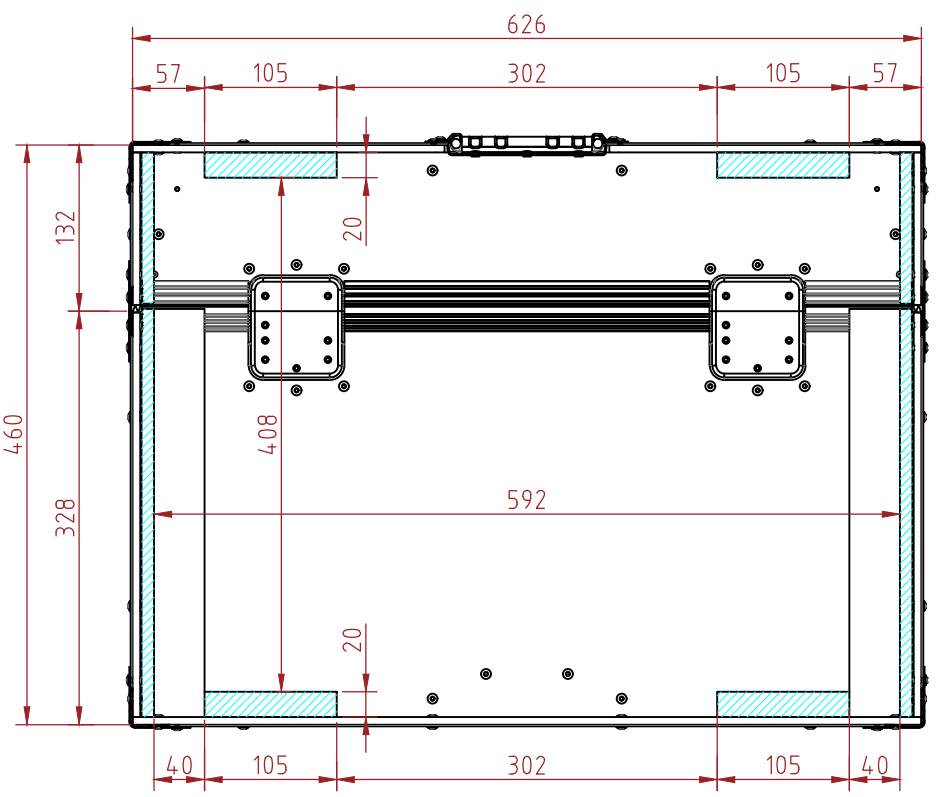
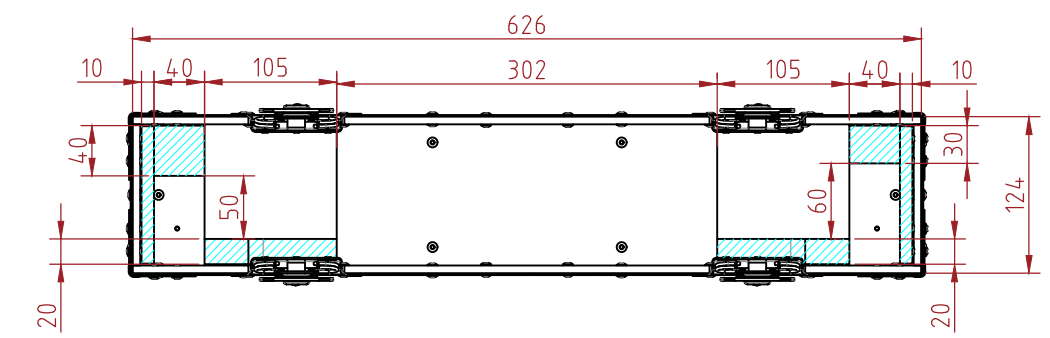
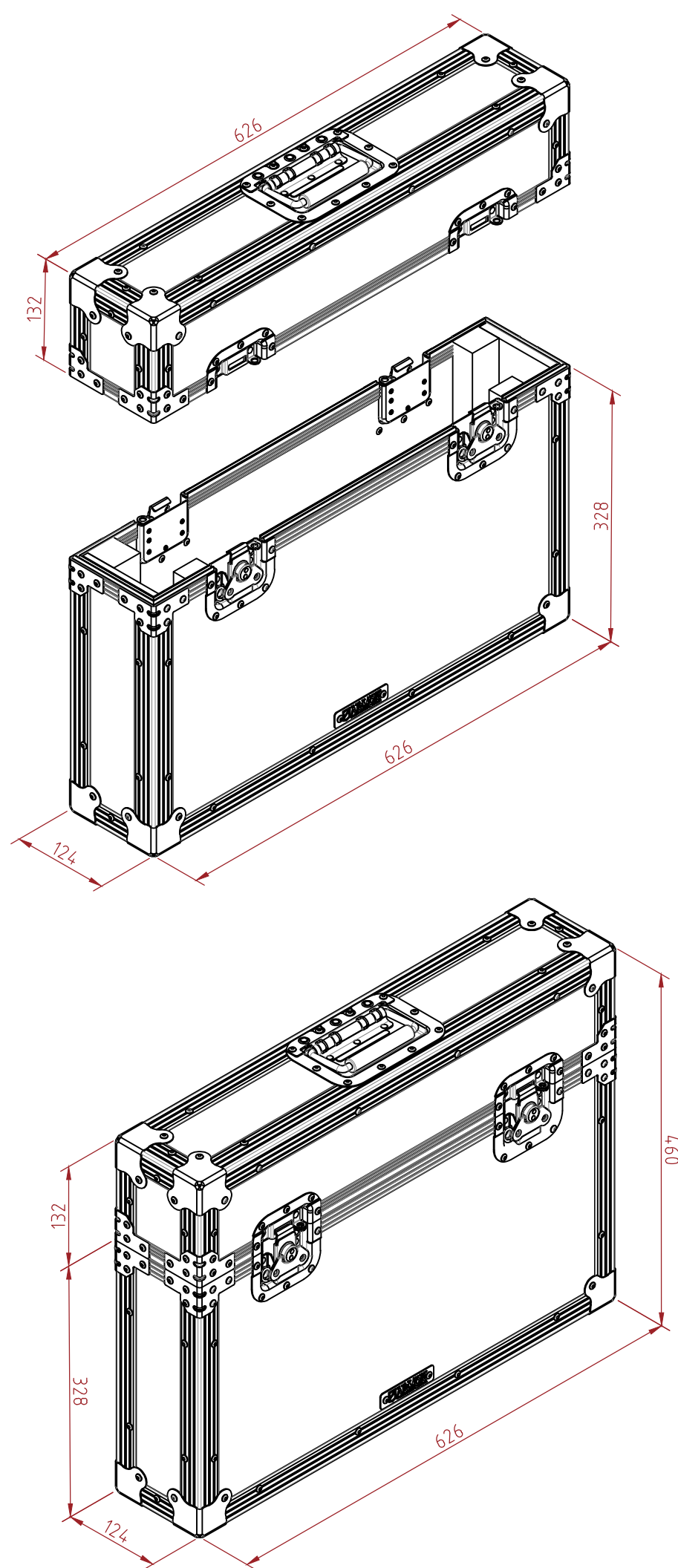


1 2 3 4 5 6 7 8 9 10 11 12 13 14 15 16



 EVA FOAMS

ITEM NO.	DESCRIPTION	PART NUMBER	QTY.
1	BRACES	B4204	8
2	CORNERS	C0675	8
3	LATCHES	L2208C	4
4	RECESSED HANDLE	H1101	1
5	PLYWOOD PANEL 6mm	P601	10
6	SINGLE ANGLE EXTRUSION	E-SA30	16
7	EDGE EXTRUSION	EH6	8

NOTES:

CUSTOMER:

DUE DATE:

QUANTITY:
1

PANEL FINISH:
P608-EXTERIOR PLAIN BLACK ; INTERIOR NAVY BLUE

HARDWARE:
CHROME

DRAWING:
DM240 Case

DRAWN BY: RP CHECKED BY: AS

SCALE: 1:6 REVISION: 0



ADD: 45/7-9 Percy St, Auburn,
NSW 2144, Australia
PH: 02 9188 6801
MAIL: sales@armorcases.com.au
WEB: www.armorcases.com.au

1 2 3 4 5 6 7 8 9 10 11 12 13 14 15 16