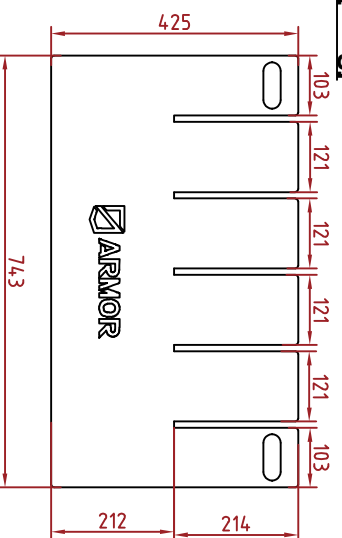
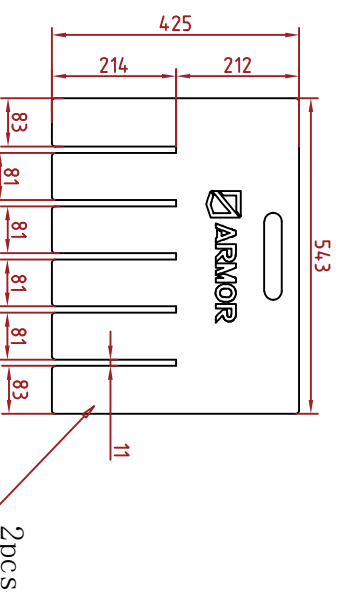


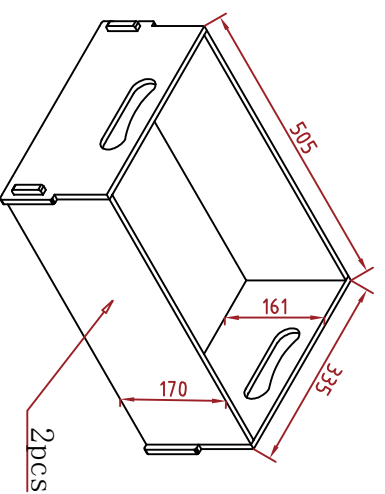
**CP800 - Partition Panel [Long]**



**CP800 - Partition Panel [Long]**



**CP800 - Wooden Crate**



NOTES:

CUSTOMER:

DUE DATE:

QUANTITY:

PANEL FINISH:

P901

HARDWARE:

ARMOR

DRAWING:

CP800

DRAWN BY:

AG

CHECKED BY:

AS

SCALE:

NTS

REVISION:

0



ADD : 45/7-9 Percy St. Auburn,  
NSW 2144, Australia  
PH : 02 9188 6801  
MAIL : sales@armorcases.com.au  
WEB : www.armorcases.com.au