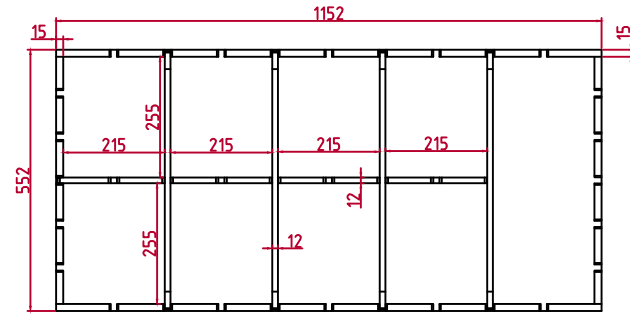
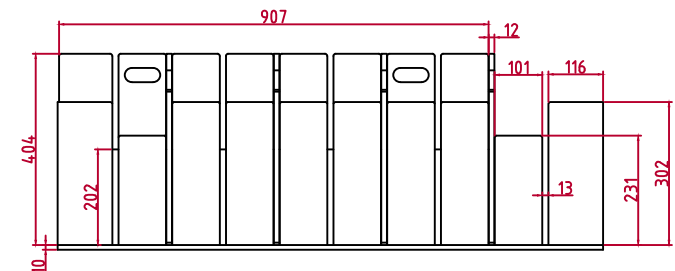


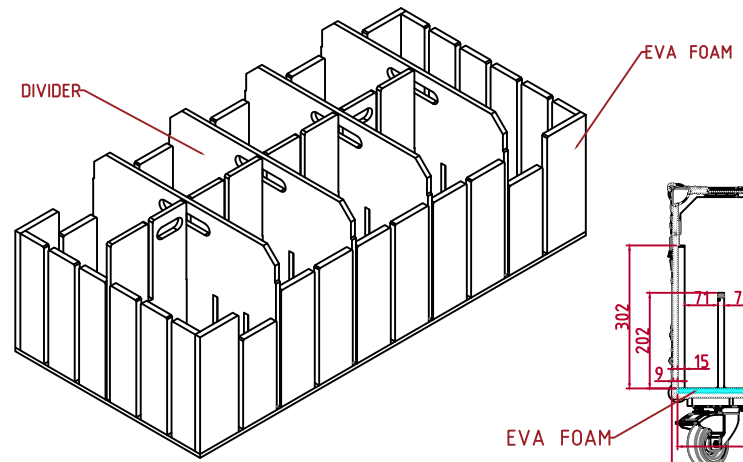
ISOMETRIC VIEW



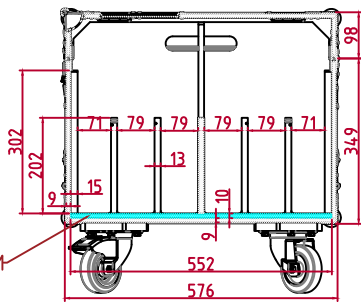
BOTTOM LEVEL TOP VIEW



BOTTOM LEVEL FRONT VIEW



BOTTOM LEVEL



SIDE CUT VIEW

ITEM NO.	DESCRIPTION	PART NUMBER	QTY.
1	BRACES	YR-4501	8
2	CORNERS	SY-B35	8
3	CASTORS	W0990-V6	2
4	CASTORS	W0985-V6	2
5	LATCHES	L944-S27-10MOL3	4
6	SURFACE HANDLE	H7151	12
7	PLYWOOD PANEL 9mm	P901	10
8	PLYWOOD PANEL 12mm	P1201A	5
9	CASTOR DISH	W0964	4
10	ANGLE EXTRUSION	E-SA35	16
11	EDGE EXTRUSION	E-E25-T9	4
12	EDGE EXTRUSION	E-E25-G9	4
13	LABEL DISH	D2116	1
14	CORNER HANDLE	H2026	1

NOTES:
 9mm Panel used for the Case
 12mm Dividers used in the Bottom Level
 10mm EVA Foam used on the bottom

CUSTOMER:
 DUE DATE:
 QUANTITY:
 1
 PANEL FINISH:
 P901 & P1201
 HARDWARE:
 MATT
 DRAWING:
 CP1200S-P18X12HEX Case
 DRAWN BY:
 DS
 CHECKED BY:
 AS
 SCALE:
 1:10
 REVISION:
 0



ADD: 45/7-9 Percy St. Auburn,
 NSW 2144, Australia
 PH: 02 9188 6801
 MAIL: sales@armorcases.com.au
 WEB: www.armorcases.com.au