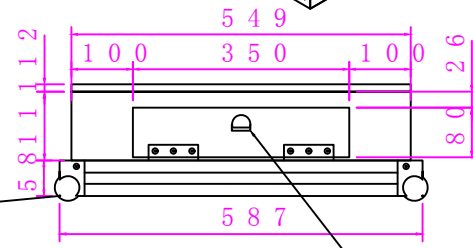
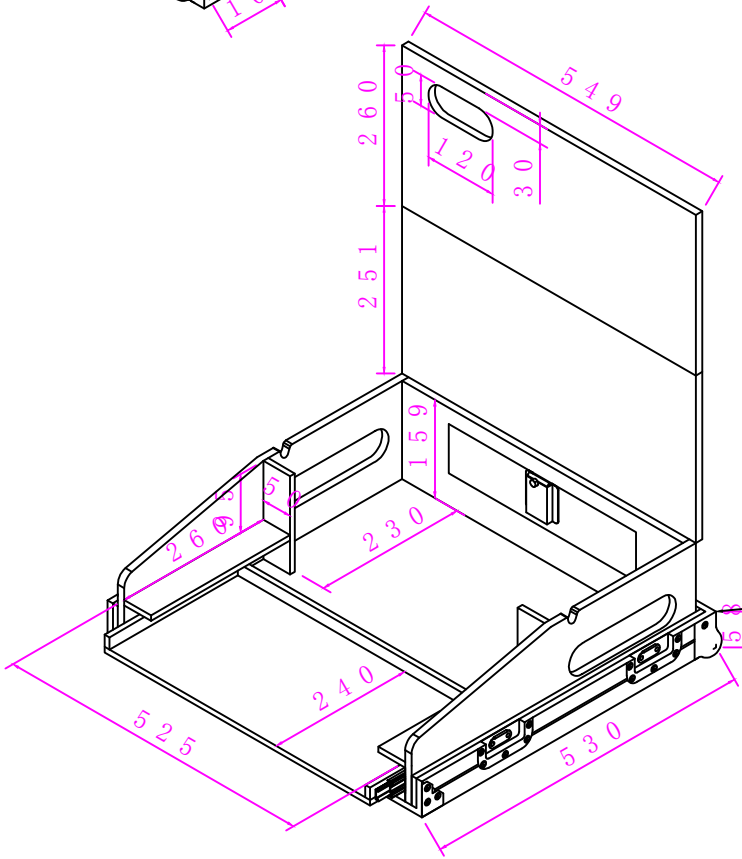
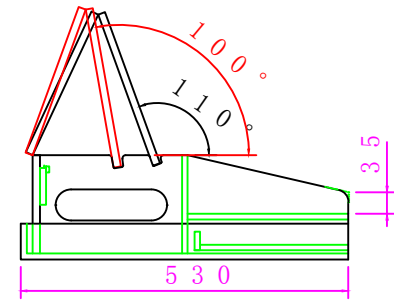
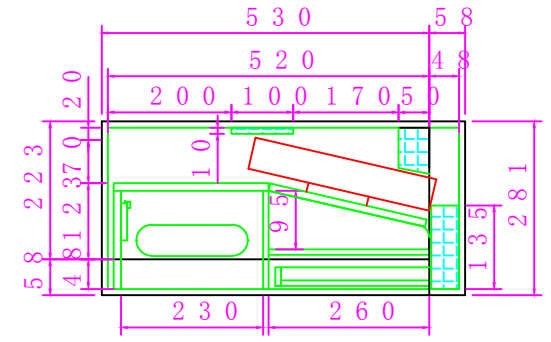


4X rubber feet on the bottom of road case



L2455

Order Quantity:

Material Name	Model	Qty.
4" Castors		
Large Ball Corner 6 Hole		8
Braces 6 Holes		6
Medium Latch		6
Medium Recessed Handle		2
Extrusion 25mm High, 1.5mm Thickness		8
Single Extrusion 30X30mm 1.5mm Thickness		16
Plywood Gray PVC Finish 9MM		1
Plywood Plain 18MM		1

Itemref	Quantity	Title/Name, designation, material, dimension etc	Article No./Reference		
Designed by JL	Checked by HH	Approved by - date AS - 16/06/2020	Filename CMS-PCW	Date 16/06/2020	Scale 1:1
ARMOR ROAD CASES			CMS-PCW		
			200616A		
			Edition V1	Sheet 1/1	