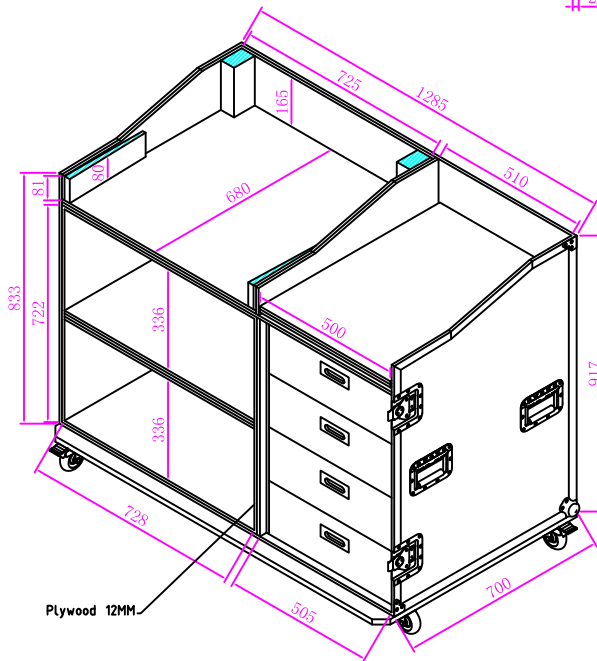
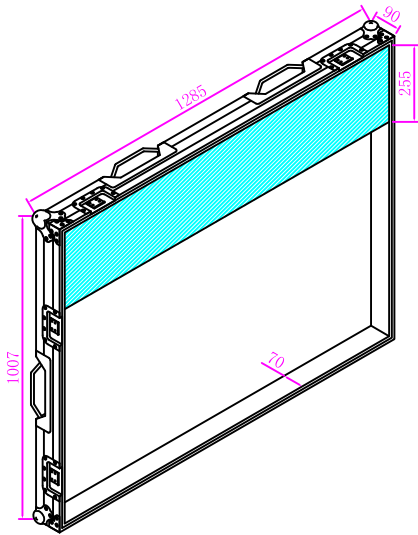
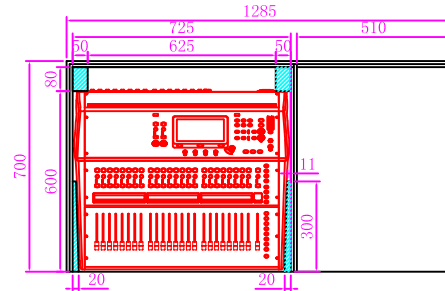
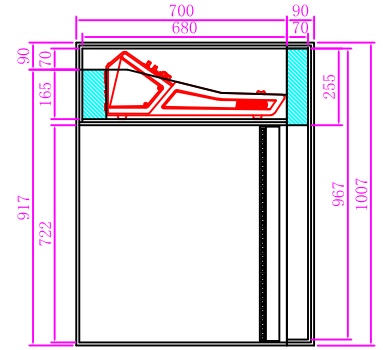
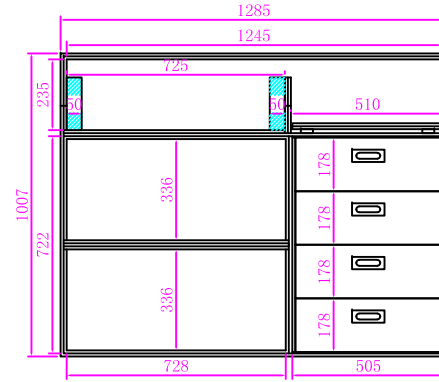
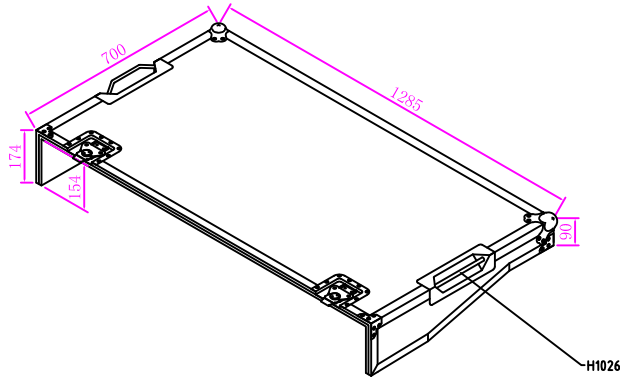


10mmEVA lining for Lid



Order Quantity:

Material Name	Model	Qty.
4" Castors		4
Large Ball Corner 6 Hole		8
Braces 6 Holes		8
Medium Latch		8
Medium Recessed Handle		4
Extrusion 25mm High,1.5mm Thickness		8
Single Extrusion 30X30mm 1.5mm Thickness		16
Plywood Gray PVC Finish 9MM		1
Plywood Plain 18MM		1

Itemref	Quantity	Title/Name, designation, material, dimension etc	Article No./Reference		
Designed by JL	Checked by HH	Approved by - date AS - 27/01/2020	Filename WSTN-TF3	Date 27/01/2020	Scale 1:1
ARMOR ROAD CASES			WSTN-TF3		
			200127A		Edition V1
			Sheet 1/1		