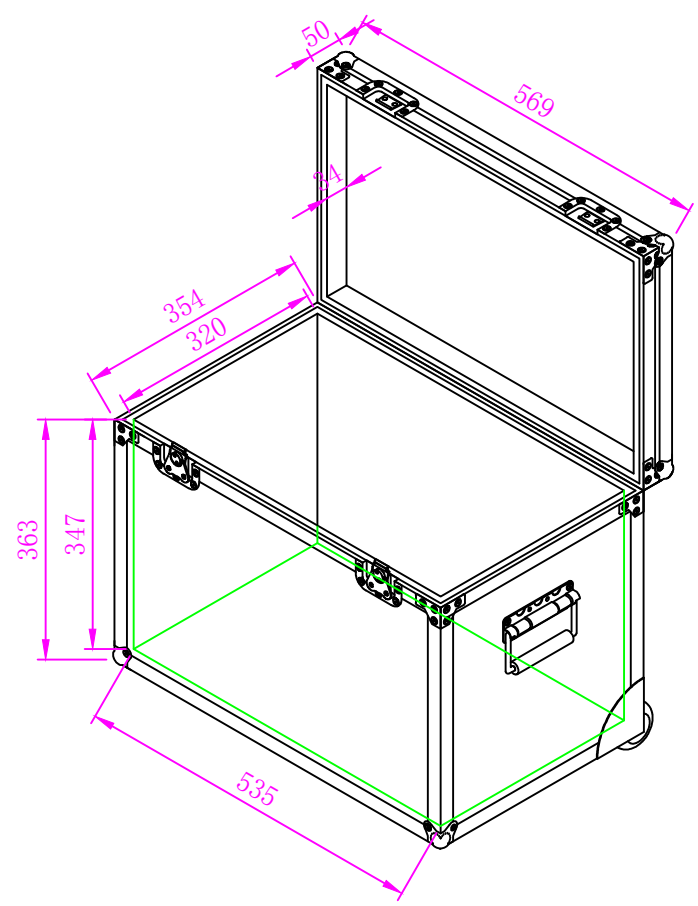


Penn Elcom 4080



Order Quantity:

Material Name	Model	Qty.
Rubber Feet		2
Large Ball Corner 6 Hole		8
Braces 6 Holes		8
Medium Latch		2
Medium Recessed Handle		2
Extrusion 25mm High, 1.5mm Thickness		8
Single Extrusion 30X30mm 1.5mm Thickness		16
Plywood Black PVC Finish 6MM		1
Plywood Plain 6MM		1

Itemref	Quantity	Title/Name, designation, material, dimension etc	Article No./Reference		
Designed by JL	Checked by HH	Approved by - date AS - 24/05/2019	Filename WG-S02	Date 24/05/2019	Scale 1:1
ARMOR ROAD CASES			WG-S02		
			190524A		