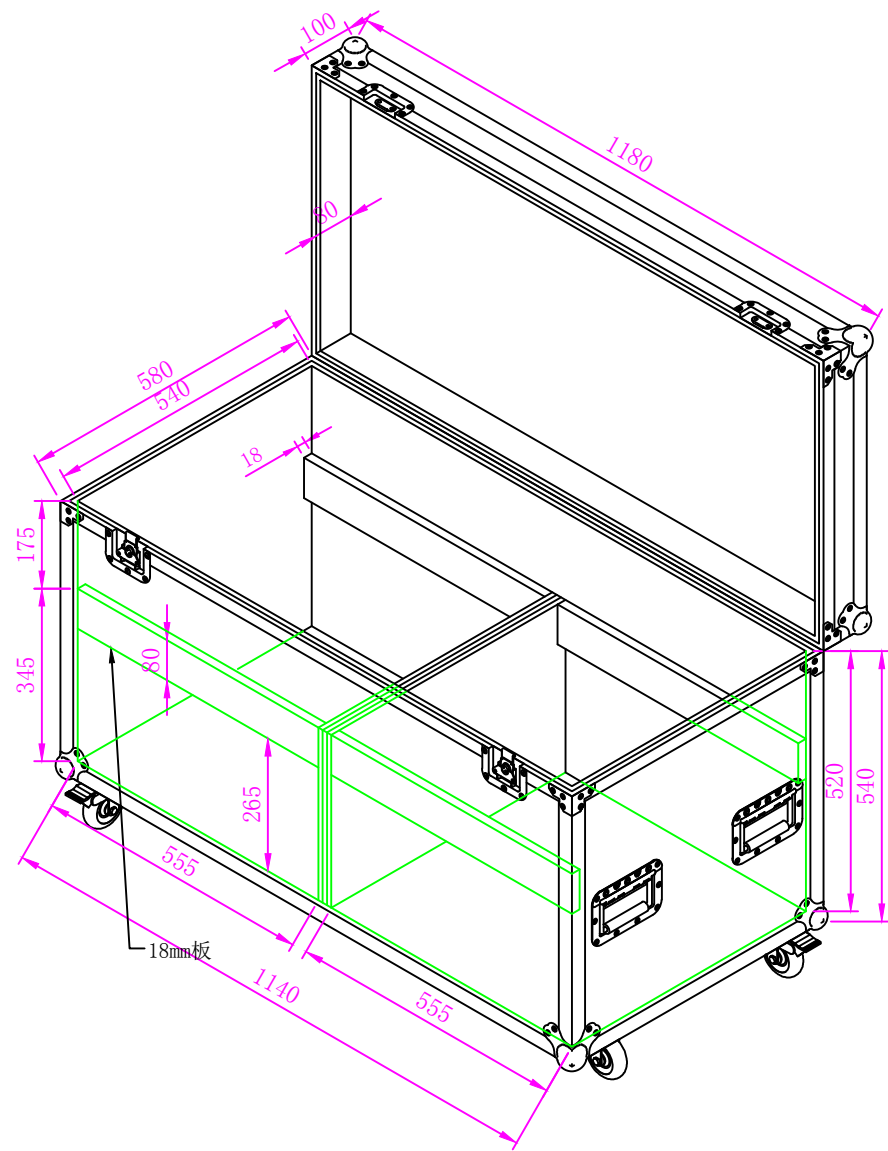
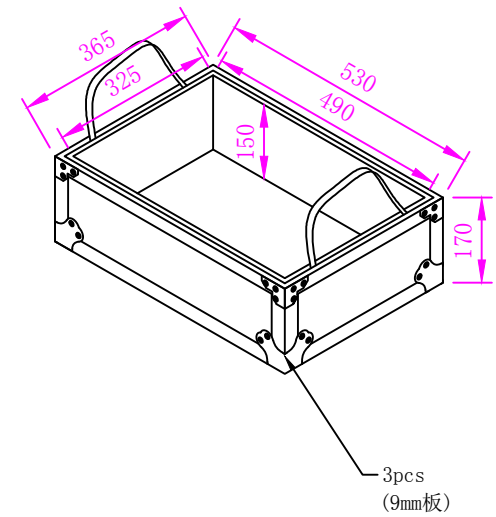


10mmEVA lining for Lid



Order Quantity:

Material Name	Model	Qty.
4" Castors		4
Large Ball Corner 6 Hole		8
Braces 6 Holes		8
Medium Latch		2
Medium Recessed Handle		4
Extrusion 25mm High, 1.5mm Thickness	V2	8
Single Extrusion 30X30mm 1.5mm Thickness		16
Plywood Black PVC Finish 9MM		1
Plywood Plain 9MM		1

Itemref	Quantity	Title/Name, designation, material, dimension etc	Article No./Reference		
Designed by JL	Checked by HH	Approved by - date AS - 18/03/2019	Filename CP120-V2	Date 18/03/2019	Scale 1:1
ARMOR ROAD CASES			CP120-V2		
			190318A		
			Edition V1	Sheet 1/1	